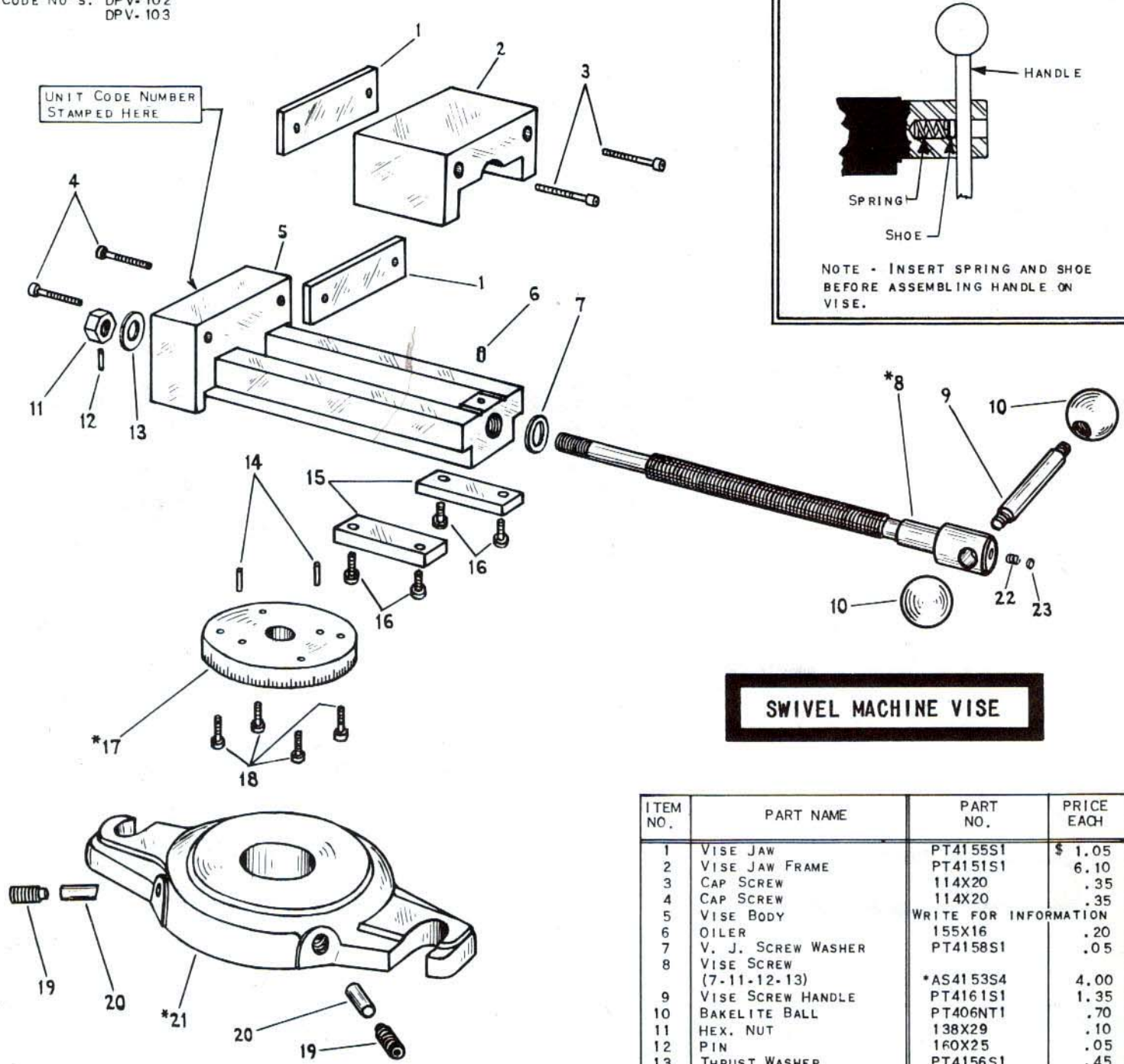


CODE NO'S. DPV-102
DPV-103



SWIVEL MACHINE VISE

ITEM NO.	PART NAME	PART NO.	PRICE EACH
1	VISE JAW	PT4155S1	\$ 1.05
2	VISE JAW FRAME	PT4151S1	6.10
3	CAP SCREW	114X20	.35
4	CAP SCREW	114X20	.35
5	VISE BODY	WRITE FOR INFORMATION	
6	OILER	155X16	.20
7	V. J. SCREW WASHER	PT4158S1	.05
8	VISE SCREW (7-11-12-13)	*AS4153S4	4.00
9	VISE SCREW HANDLE	PT4161S1	1.35
10	BAKELITE BALL	PT406NT1	.70
11	HEX. NUT	138X29	.10
12	PIN	160X25	.05
13	THRUST WASHER	PT4156S1	.45
14	PIN	160X52	.05
15	VISE JAW GIB	PT4154S1	.75
16	CAP SCREW	114X10	.30
17	GRAD. VISE BASE (14)	*AS4084DP1	6.95
18	CAP SCREW	114X8	.30
19	SET SCREW	121X312	.30
20	CLAMPING SHOE	PT211R1	.50
21	VISE BASE (19-20)	*AS4080DP2	7.55
22	SPRING	PT3639LH1	.05
23	SHOE	PT1080NK1	.05

*AVAILABLE ONLY AS SUB-ASSEMBLY. PARTS INCLUDED ARE INDICATED BY THE ITEM NUMBERS APPEARING IN PARENTHESIS AFTER PART NAME.

PRICES NET, F.O.B. SOUTH BEND, IND. (SUBJECT TO CHANGE WITHOUT NOTICE)