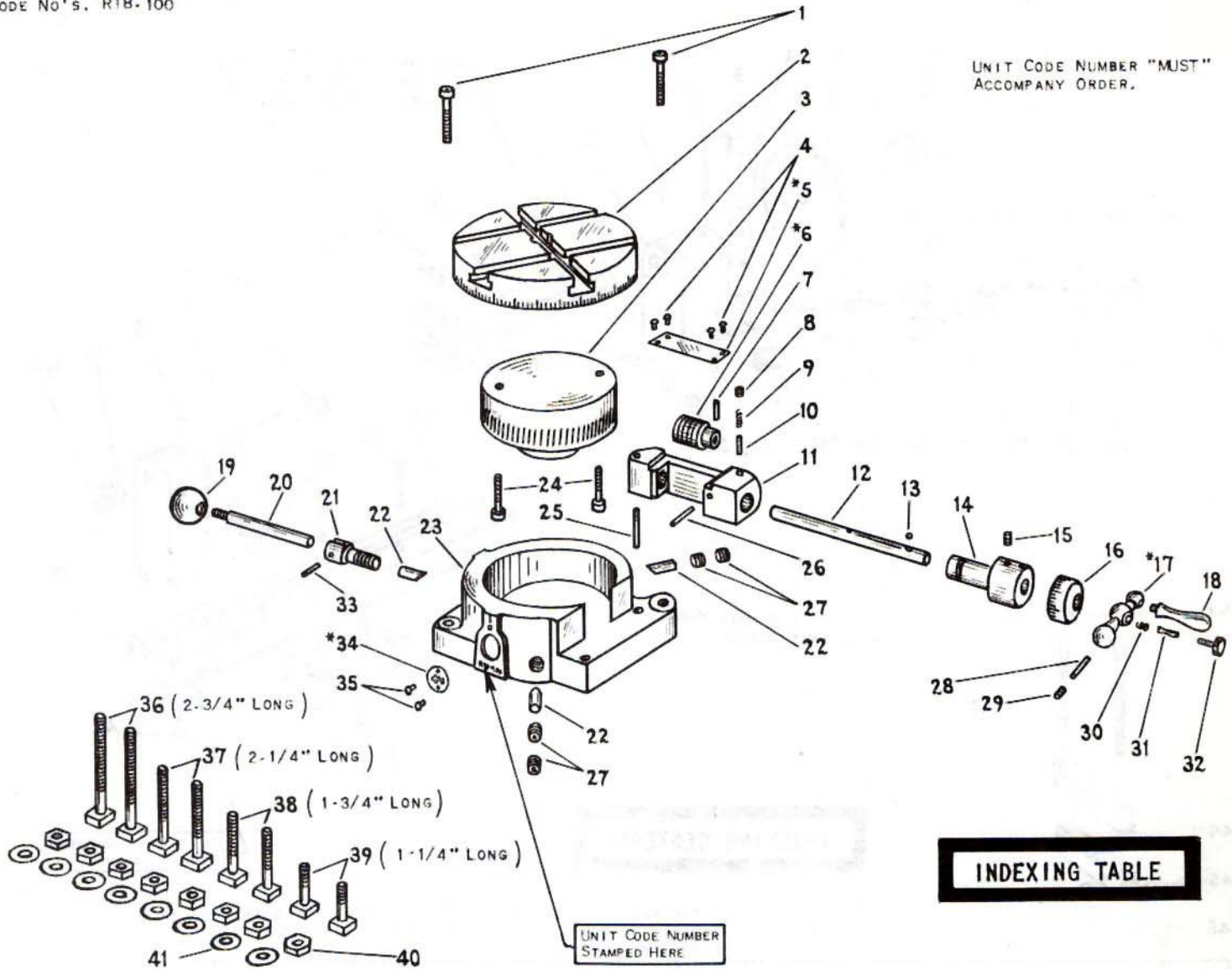


CODE NO'S. RTB-100

UNIT CODE NUMBER "MUST"  
ACCOMPANY ORDER.

## INDEXING TABLE

ITEM NO.	PART NAME	PART NO.	PRICE EACH	ITEM NO.	PART NAME	PART NO.	PRICE EACH
1	CAP SCREW	112X20	\$ .05	31	LOCK PIN	PT4915S1	\$ .35
2	TABLE	PT4901S1	13.20	32	THUMB SCREW	PT4921S1	.35
3	WORM WHEEL	PT4918S1	11.10	33	PIN	160X23	.05
4	DRIVE SCREW	130X103	.05	34	INSIGNIA PLATE (35)	*AS3304	.35
5	COVER (4)	*AS4919S1	1.75	35	DRIVE SCREW	130X3	.05
6	WORM (7)	*AS4909S1	1.65	36	TEE BOLT - 2 3/4"	PT4930S1	.50
7	TAPER PIN	168X5	.05	37	TEE BOLT - 2 1/4"	PT4929S1	.45
8	SET SCREW	122X503	.05	38	TEE BOLT - 1 3/4"	PT4928S1	.40
9	PLUNGER SPRING	PT4908S1	.25	39	TEE BOLT - 1 1/4"	PT4927S1	.35
10	PLUNGER	PT4912S2	.40	40	HEX. NUT	138X25	.05
11	WORM HINGE	PT4902S2	2.10	41	WASHER	167X3	.05
12	WORM SHAFT	PT4910S3	1.05				
13	STEEL BALL	172X8	.05				
14	BUSHING	PT4903S1	4.70				
15	SET SCREW	122X103	.05				
16	GRADUATED COLLAR	PT4904S1	1.75				
17	BALL CRANK (18-28-29)	*AS4917S1	2.80				
18	MACHINE HANDLE	PT1480	.55				
19	BAKELITE BALL	PT406NT1	.70				
20	CLAMPING LEVER	PT4907S1	.75				
21	LOCK SCREW	PT4906S1	1.35				
22	CLAMPING SHOE	PT211R1	.50				
23	TABLE BASE	WRITE FOR INFORMATION					
24	CAP SCREW	114X16	.30				
25	HINGE PIN	PT4911S1	.10				
26	PIN	160X29	.05				
27	SET SCREW	120X306	.25				
28	CUP PT. PIN	PT4916S1	.40				
29	SET SCREW	120X904	.20				
30	SPRING	PT4899S1	.10				

PRICES NET, F.O.B. SOUTH BEND, IND.  
(SUBJECT TO CHANGE WITHOUT NOTICE)