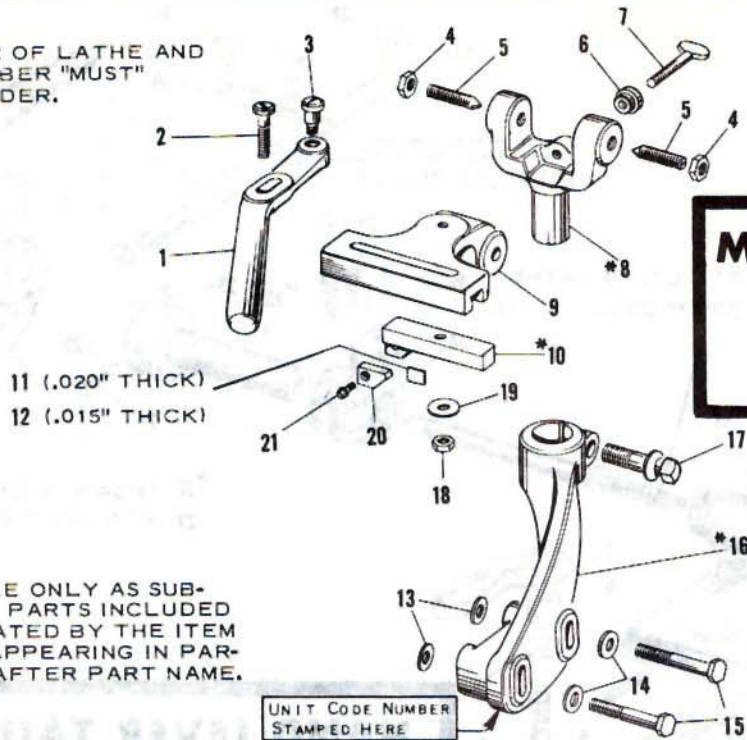


SERIAL NUMBER OF LATHE AND UNIT CODE NUMBER "MUST" ACCOMPANY ORDER.



### MICA UNDERCUTTING ATTACHMENT

FOR 9", 10K 10", 13", 14 1/2", 16"

\*AVAILABLE ONLY AS SUB-ASSEMBLY. PARTS INCLUDED ARE INDICATED BY THE ITEM NUMBERS APPEARING IN PARENTHESIS AFTER PART NAME.

ITEM NO.	PART NAME	9"		10K & 10" (1" COL.)		13"	
		PART NO.		PART NO.		PART NO.	
1	LEVER	PT 1446NH2		PT 1446NH2		PT 1446NH2	
2	STUD SCREW	PT 1448NH1		PT 1448NH1		PT 1448NH1	
3	SHOULDER SCREW	PT 1447NH1		PT 1447NH1		PT 1447NH1	
4	JAM NUT	139 X 27		139 X 27		139 X 27	
5	SET SCREW	PT 703NH1		PT 703NH1		PT 703NH1	
6	LOCK NUT	PT 1437NH1		PT 1437NH1		PT 1437NH1	
7	THUMB SCREW	131 X 26		131 X 26		131 X 26	
8	FORK (4-5)	*AS1449NH1		*AS1449NH1		*AS1449NH1	
9	GUIDE	PT 1443NH2		PT 1443NH2		PT 1443NH2	
10	BLADE HOLDER (14-15)	*AS1444NH1		*AS1444NH1		*AS1444NH1	
11	BLADE - .020" THICK	CE2029		CE2029		CE2029	
12	BLADE - .015" THICK	CE2028		CE2028		CE2028	
13	WASHER	161 X 63		161 X 63		-----	
14	WASHER	161 X 12		161 X 12		161 X 16	
15	CAP SCREW	112 X 132		112 X 132		112 X 236	
16	BRACKET (16)	*AS1442N1		*AS1442KR1		*AS1442T1	
17	COLLAR SCREW	PT 212R1		PT 212R1		PT 1436T1	
18	HEX JAM NUT	139 X 25		139 X 25		139 X 25	
19	WASHER	161 X 12		161 X 12		161 X 12	
20	BLADE CLAMP	PT 1441NH1		PT 1441NH1		PT 1441NH1	
21	MACHINE SCREW	102 X 310		102 X 310		102 X 310	
ITEM NO.	PART NAME	14 1/2"		16"			
		PART NO.		PART NO.			
1	LEVER	PT 1446NH2		PT 1446NH2			
2	STUD SCREW	PT 1448NH1		PT 1448NH1			
3	SHOULDER SCREW	PT 1447NH1		PT 1447NH1			
4	JAM NUT	139 X 27		139 X 27			
5	SET SCREW	PT 703NH1		PT 703NH1			
6	LOCK NUT	PT 1437NH1		PT 1437NH1			
7	THUMB SCREW	131 X 26		131 X 26			
8	FORK (4-5)	*AS1449NH1		*AS1449NH1			
9	GUIDE	PT 1443NH2		PT 1443NH2			
10	BLADE HOLDER (14-15)	*AS1444NH1		*AS1444NH1			
11	BLADE - .020" THICK	CE2029		CE2029			
12	BLADE - .015" THICK	CE2028		CE2028			
13	WASHER	-----		-----			
14	WASHER	161 X 26		161 X 26			
15	CAP SCREW	112 X 436		112 X 436			
16	BRACKET (16)	*AS1442F1		*AS1442H1			
17	COLLAR SCREW	PT 1436FH1		PT 1436FH1			
18	HEX JAM NUT	139 X 25		139 X 25			
19	WASHER	161 X 12		161 X 12			
20	BLADE CLAMP	PT 1441NH1		PT 1441NH1			
21	MACHINE SCREW	102 X 310		102 X 310			