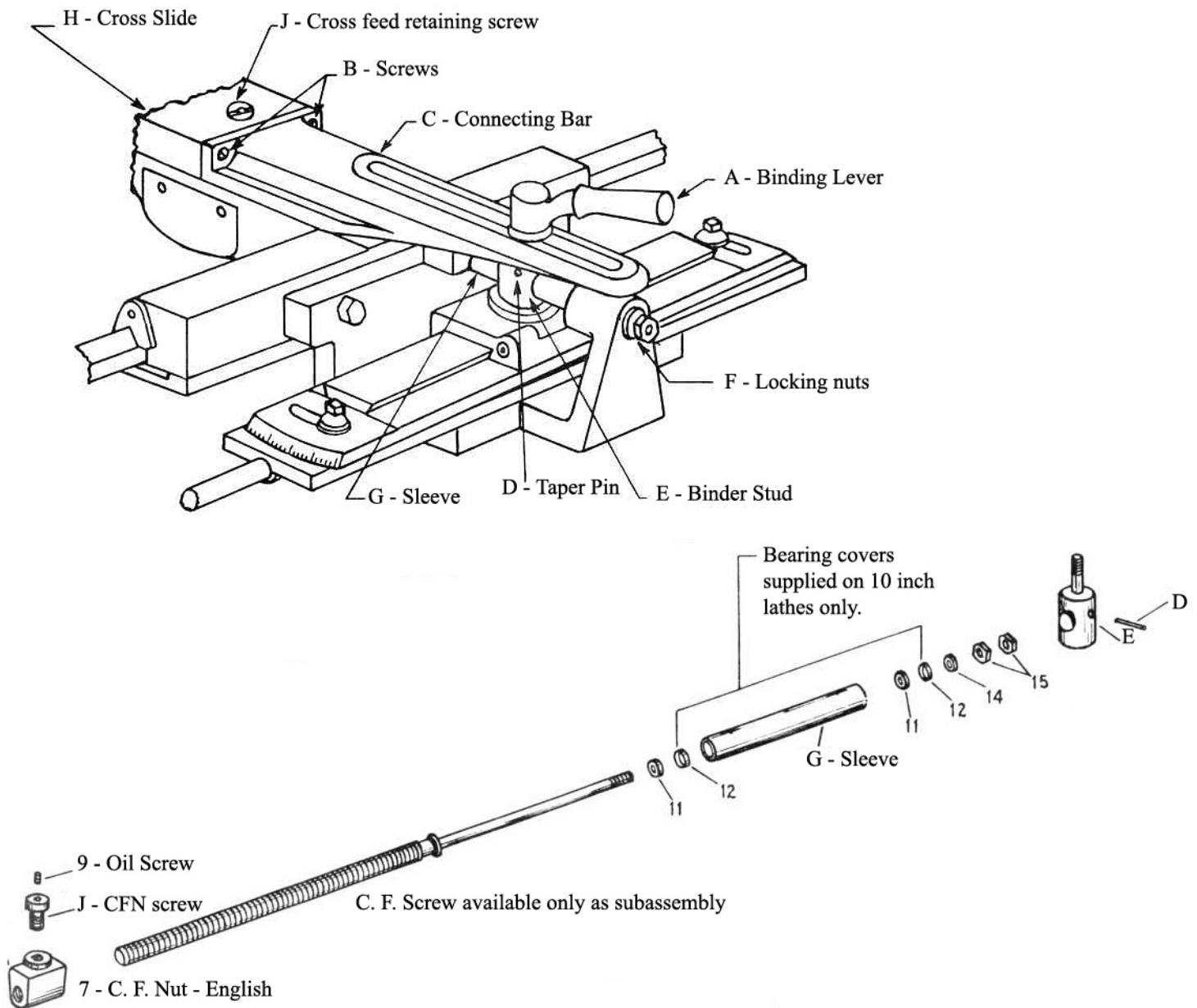


Rear Taper Attachment Cross Feed Screw, with or without ball thrust bearings, Service/Removal - 10 to 16 inch & 16-24 lathes.



1. Remove Binding Lever "A" and collar.
2. Remove the two screws at "B" and take off connecting bar "C".
3. Knock out taper pin "D" from Binder stud "E".
4. Remove nuts and collar at "F"
5. Slip out sleeve "G".
6. Move Cross slide "H" to rear position by turning cross feed ball crank counter-clock wise until taper screw disengages at front keyway.
7. Remove number 9 oil screw from cross feed nut retaining screw "J".
8. Turn cross feed screw by hand to unscrew from number 7-C.F. nut. Remove through binder stud "E".
9. Remove CFN screw "J" and C.F. nut will drop out bottom of saddle.
10. Do not over tighten Locking nuts "F" at reassembly, this will cause ball thrust bearing damage.