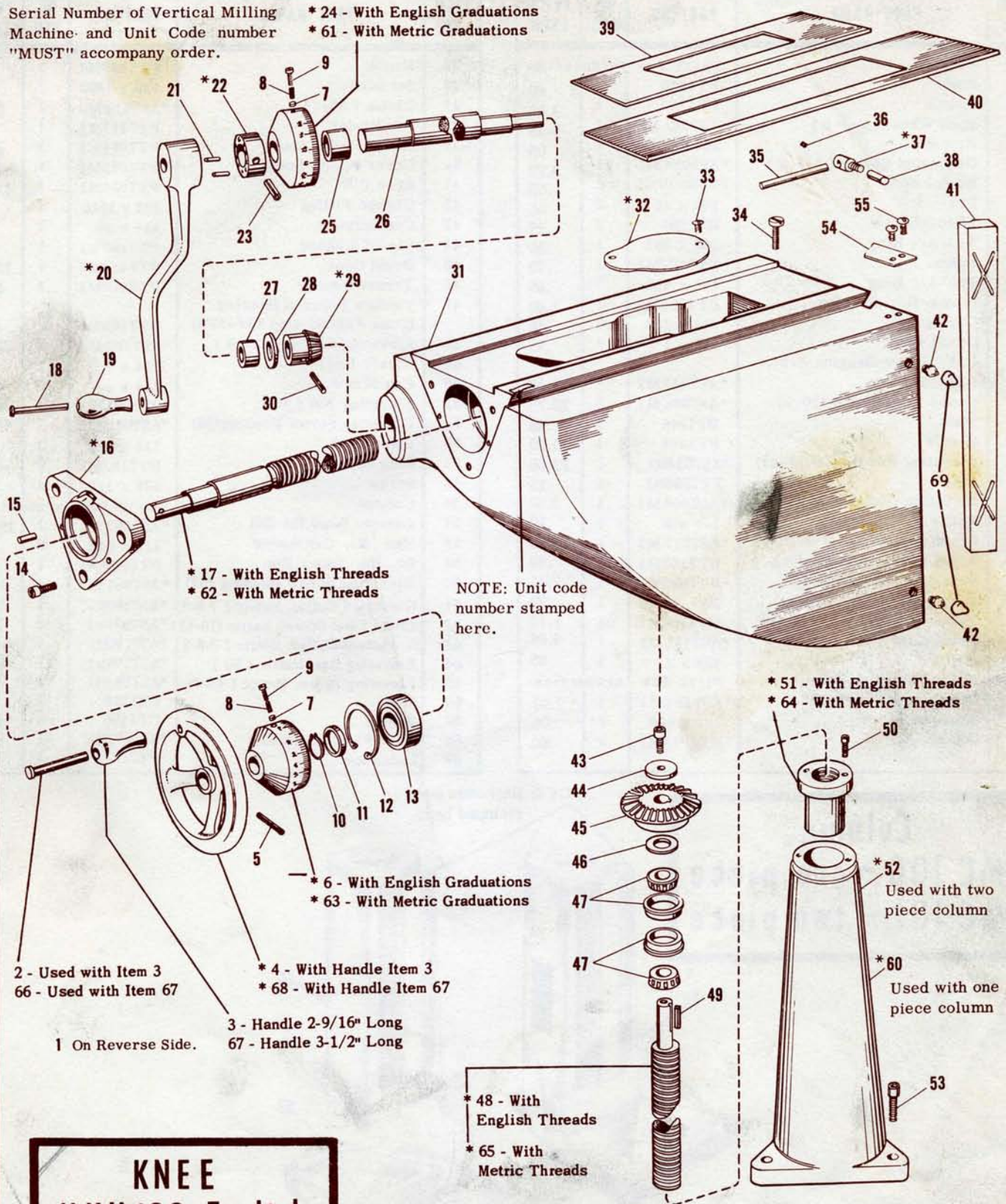


Serial Number of Vertical Milling Machine and Unit Code number "MUST" accompany order.

\* 24 - With English Graduations  
 \* 61 - With Metric Graduations



\* 17 - With English Threads  
 \* 62 - With Metric Threads

NOTE: Unit code number stamped here.

\* 51 - With English Threads  
 \* 64 - With Metric Threads

2 - Used with Item 3  
 66 - Used with Item 67

\* 4 - With Handle Item 3  
 \* 68 - With Handle Item 67

1 On Reverse Side. 3 - Handle 2-9/16" Long  
 67 - Handle 3-1/2" Long

\* 48 - With English Threads  
 \* 65 - With Metric Threads

\* 52 Used with two piece column

\* 60 Used with one piece column

**KNEE**  
**MKM 100-English**  
**MKM 100M-Metric**

\* Available only as sub-assembly. Parts included are indicated by the item numbers appearing in parenthesis after part name. Quantities are not indicated in sub-assemblies, but correct quantity of each part is included in price.

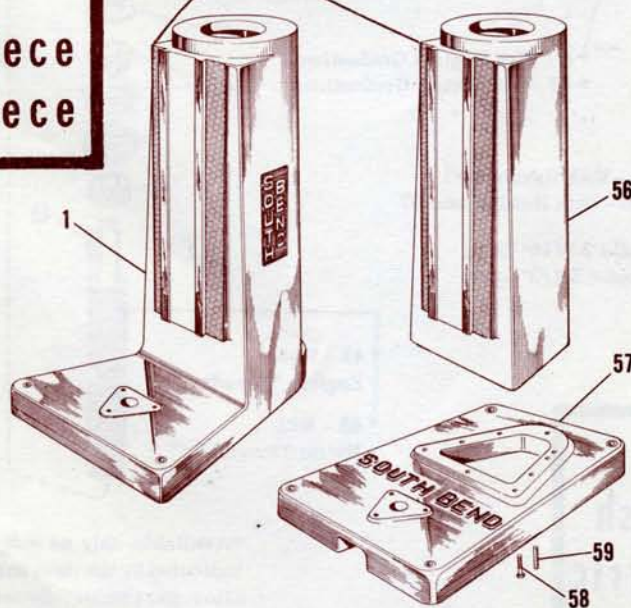
Continued On Reverse Side.

ITEM NO.	PART NAME	PART NO.	NO. REQ.	PRICE EACH
1	Column	WRITE FOR INFORMATION		
2	Stud	PT1245	1	\$ .80
3	Handle	PT1495	1	3.00
4	Hand Wheel ( 2-3-5 )	*AS7092 M1	1	9.45
5	Roll Pin	159 x 5	1	.05
6	Graduated Collar ( 7-8-9 )	*AS7018 M1	1	9.70
7	Binder Shoe	PT1080NK1	2	.05
8	Pin	160 x 25	2	.05
9	Thumb Screw	PT1857	2	.35
10	Tru-Arc Ring	165 x 101	1	.30
11	Spacer	PT7102M1	1	.70
12	Tru-Arc Ring	165 x 402	1	.65
13	Double Row Bearing	PT7098M1	1	7.60
14	Cap Screw	114 x 216	3	.45
15	Dowel Pin	153 x 1	2	.25
16	C. F. Screw Bearing Brkt. ( 14-15 )	*AS7027 M1	1	13.40
17	Cross Feed Screw (10-11)	*AS7094 M1	1	20.75
18	Stud	PT1246	1	.95
19	Handle	PT1496	1	3.60
20	Elevating Handle (18-19-21)	*AS7034M2	1	13.00
21	Pin	PT7288M1	2	.15
22	Elevating Clutch ( 23 )	*AS7008 M1	1	3.50
23	Roll Pin	159 x 6	1	.10
24	Graduated Collar (7-8-9)	*AS7017 M1	1	10.35
25	Front Elev. Shaft Bushing	PT7103M1	1	.90
26	Elevating Shaft	PT7095M1	1	7.45
27	Rear Elev. Shaft Bushing	PT7105M1	1	.70
28	Thrust Washer	PT7106M1	1	1.75
29	Bevel Gear Pinion ( 30 )	*AS7111 M1	1	9.85
30	Roll Pin	159 x 4	1	.05
31	Milling Machine Knee	WRITE FOR INFORMATION		
32	Bevel Gear Cover ( 33 )	*AS7134 M1	1	2.50
33	Machine Screw	101 x 306	2	.05
34	Gib Screw	PT7016M1	2	.60

ITEM NO.	PART NAME	PART NO.	NO. REQ.	PRICE EACH
35	Handle	PT7116M1	1	.60
36	Set Screw	120 x 1003	1	.15
37	Clamp ( 35-36 )	*AS7114 M1	1	2.35
38	Gib Binder	PT7117M1	1	.70
39	Cover Plate, Short	PT7081M1	1	6.90
40	Cover Plate, Long	PT7082M1	1	7.75
41	Knee Gib	PT7033M1	1	11.20
42	Grease Fitting	190 x 1610	4	.25
43	Cap Screw	114 x 14	1	.30
44	Clamp Washer	PT7109M1	1	.75
45	Bevel Gear	PT7110M1	1	17.90
46	Thrust Washer	PT7107M1	1	1.55
47	Timken Tapered Bearing (Cone #A6062-Cup #A6157B)	PT7108M1	2	3.30
48	Elevating Screw ( 43-49 )	*AS7002 M1	1	21.00
49	Square Key	164 x 9	1	.30
50	Cap Screw	114 x 2	2	.20
51	Elevating Nut ( 50 )	*AS7003 M1	1	12.10
52	Elevating Screw Housing(53)	*AS7001M2	1	44.15
53	Cap Screw	114 x 224	3	.45
54	Chip Scraper	PT7182M1	2	.75
55	Screw	132 x 1103	4	.05
56	Column	WRITE FOR INFORMATION		
57	Column Base (58-59)	*AS7163 M1	1	159.90
58	Hex. Hd. Cap Screw	112 x 436	6	.20
59	Sq. Hd. Taper Pin	PT7009M1	2	.55
60	Elevating Screw Housing (53)	*AS7001 M1	1	44.15
61	Graduated Collar, Metric ( 7-8-9 )	*AS7189M1	1	10.35
62	Cross Feed Screw, Metric (10-11)	*AS7191M1	1	20.75
63	Graduated Collar, Metric ( 7-8-9 )	*AS7190M1	1	9.60
64	Elevating Nut, Metric ( 50 )	*AS7196M1	1	12.10
65	Elevating Screw, Metric ( 43-49 )	*AS7193M1	1	21.00
66	Stud	PT1246	1	.95
67	Handle	PT1496	1	3.60
68	Hand Wheel ( 5-66-67 )	*AS7092M2	1	10.20
69	Lubricaps	PT7187M1	4	.10

**Column**  
**MMC 100 - one piece**  
**MMC 101 - two piece**

NOTE: Unit code number stamped here.



PRICES NET. F.O.B. SOUTH BEND, IND. (SUBJECT TO CHANGE WITHOUT NOTICE)

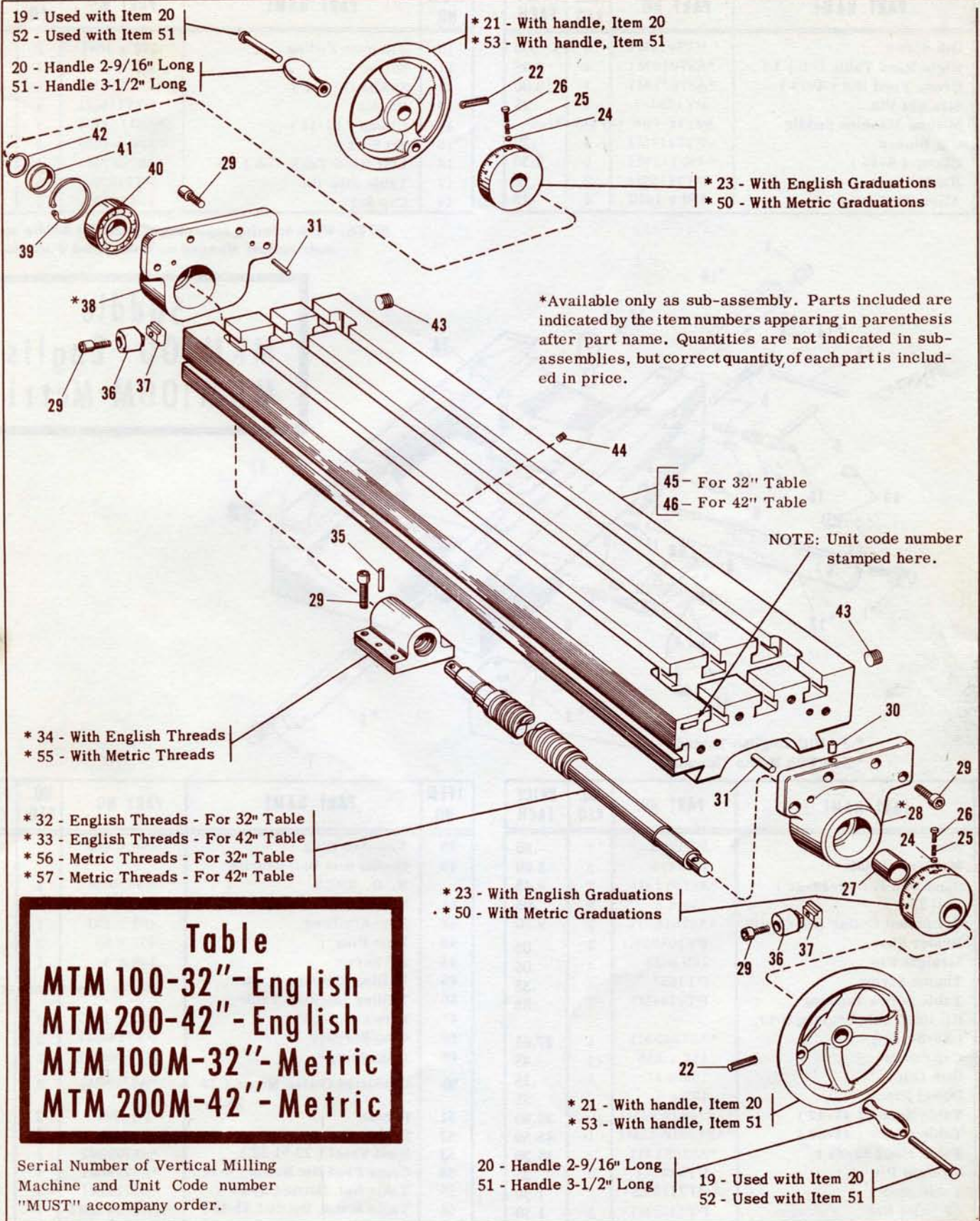


Table	
MTM 100-32"	- English
MTM 200-42"	- English
MTM 100M-32"	- Metric
MTM 200M-42"	- Metric

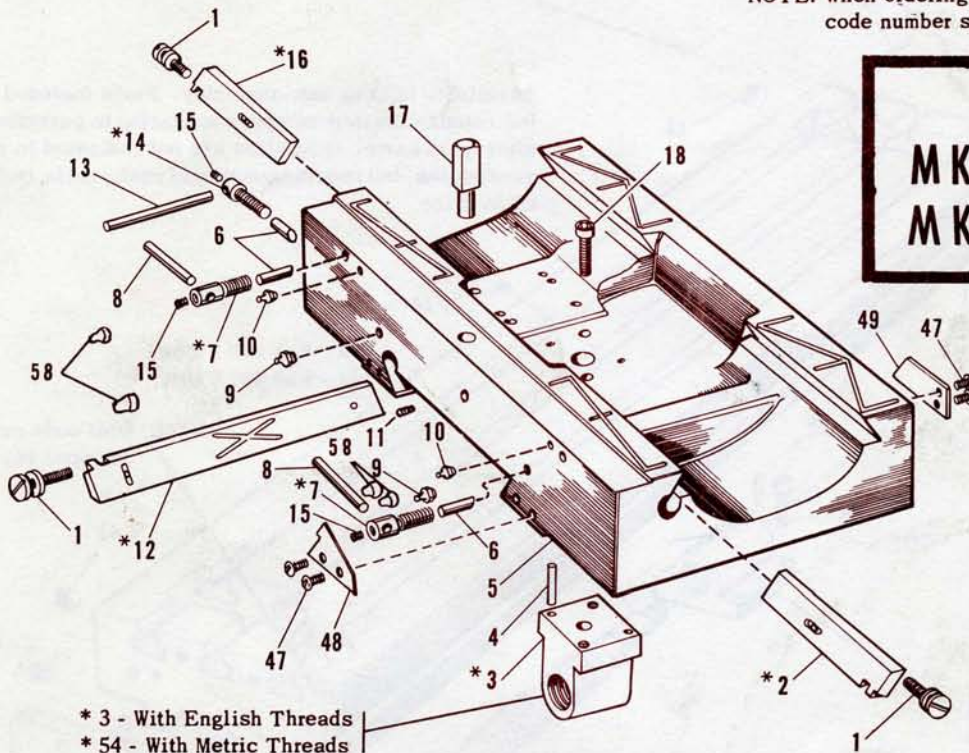
Serial Number of Vertical Milling Machine and Unit Code number "MUST" accompany order.

Continued On Reverse Side.

ITEM NO.	PART NAME	PART NO.	NO. REQ.	PRICE EACH
1	Gib Screw	PT7015M1	3	\$ .90
2	Right Hand Table Gib ( 1 )	*AS7030M1	1	5.95
3	Cross Feed Nut ( 4-18 )	*AS7021M1	1	16.00
4	Straight Pin	PT1833-1	2	.25
5	Milling Machine Saddle	WRITE FOR INFORMATION		
6	Gib Binder	PT7117M1	3	.70
7	Clamp ( 8-15 )	*AS7112M1	2	2.30
8	Handle	PT7115M1	2	.55
9	Allemitte Fitting	190 x 1610	4	.15

ITEM NO.	PART NAME	PART NO.	NO. REQ.	PRICE EACH
10	Allemitte Fitting	190 x 1641	2	.20
11	Screw	120 x 4	1	.15
12	Saddle Gib ( 1 )	*AS7032M1	1	11.25
13	Handle	PT7116M1	1	.60
14	Clamp ( 13-15 )	*AS7113M1	1	2.40
15	Set Screw	120 x 1003	3	.15
16	Left Hand Table Gib ( 1 )	*AS7031M1	1	5.95
17	Table Stop Pin	PT7130M1	1	1.20
18	Cap Screw	114 x 226	2	.45

NOTE: When ordering replacement parts for saddle specify code number stamped on knee, sheet Form No. 969A.



\* 3 - With English Threads  
\* 54 - With Metric Threads

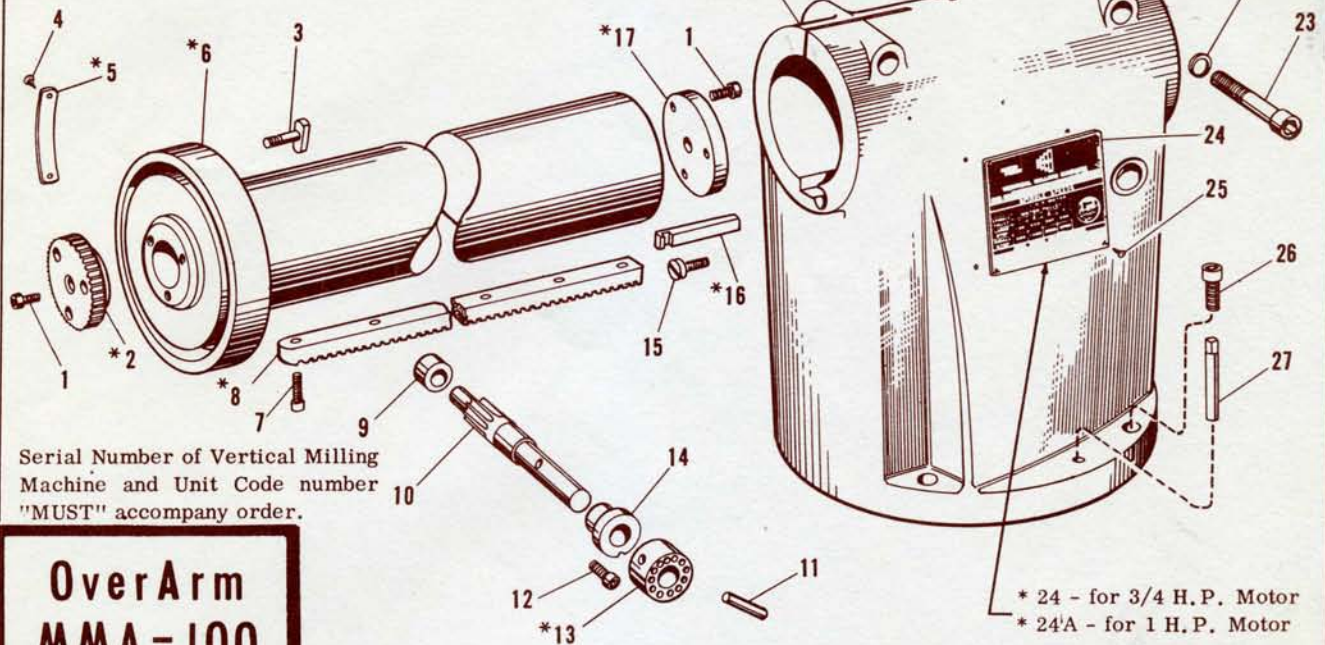
**Saddle**  
**MKM100 - English**  
**MKM100M - Metric**

ITEM NO.	PART NAME	PART NO.	NO. REQ.	PRICE EACH
19	Stud	PT1245	2	.80
20	Machine Handle	PT1495	2	3.00
21	Hand Wheel ( 19-20-22 )	*AS7092M1	2	9.45
22	Roll Pin	159 x 5	2	.05
23	Graduated Collar (24-25-26)	*AS7018M1	2	9.70
24	Binder Shoe	PT1080NK1	2	.05
25	Straight Pin	160 x 25	2	.05
26	Thumb Screw	PT1857	2	.35
27	Table Screw Bushing	PT7104M1	1	.85
28	Rt. Hd. Table Bearing Brkt. ( 29-30-31 )	*AS7029M1	1	27.65
29	Cap Screw	114 x 216	14	.45
30	Gits Oiler	155 x 17	1	.15
31	Dowel Pin	153 x 1	4	.25
32	Table Screw ( 41-42 )	*AS7093W32M1	1	39.00
33	Table Screw ( 41-42 )	*AS7093W42M1	1	46.50
34	Table Nut ( 29-35 )	*AS7022M1	1	15.20
35	Straight Pin	PT1833-1	2	.25
36	Table Stop	PT7119M2	2	1.30
37	"T" Slot Nut	PT7120M1	2	1.30
38	Left Hd. Table Bearing Brkt. ( 29-31 )	*AS7028M1	1	27.20

ITEM NO.	PART NAME	PART NO.	NO. REQ.	PRICE EACH
39	Tru-Arc Ring	165 x 402	1	.65
40	Double Row Ball Bearing, N. D. 55605	PT7098M1	1	7.60
41	Spacer	PT7102M1	1	.70
42	Tru-Arc Ring	165 x 101	1	.30
43	Pipe Plug	152 x 63	2	.40
44	Set Screw	120 x 4	1	.15
45	Milling Machine Table	WRITE FOR INFORMATION		
46	Milling Machine Table	WRITE FOR INFORMATION		
47	Screw	132 x 1103	8	.05
48	Chip Scraper	PT7183M1	2	.90
49	Chip Scraper	PT7182M1	2	.75
50	Graduated Collar, Metric ( 24-25-26 )	*AS7190M1	2	9.60
51	Handle	PT1496	2	3.60
52	Stud	PT1246	2	.95
53	Hand Wheel ( 22-51-52 )	*AS7092M2	2	10.20
54	Cross Feed Nut Metric ( 4-18 )	*AS7194M1	1	15.50
55	Table Nut, Metric ( 29-35 )	*AS7195M1	1	15.20
56	Table Screw, Metric ( 41-42 )	*AS7192W32M1	1	38.95
57	Table Screw, Metric ( 41-42 )	*AS7192W42M1	1	46.35
58	Lubricaps	PT7187M1	6	.10

PRICES NET. F.O.B. SOUTH BEND, IND. (SUBJECT TO CHANGE WITHOUT NOTICE)

\*Available only as sub-assembly. Parts included are indicated by the item numbers appearing in parenthesis after part name. Quantities are not indicated in sub-assemblies, but correct quantity of each part is included in price.



**Over Arm  
MMA-100**

ITEM NO.	PART NAME	PART NO.	NO. REQ.	PRICE EACH
1	Cap Screw	114 x 12	6	\$ .30
2	Head Rotation Gear ( 1 )	*AS7013 M1	1	17.40
3	Head Mounting "T" Bolt	PT7076M1	4	1.25
4	Self Tapping Screw	132 x 1101	4	.05
5	Vernier Plate ( 4 )	*AS7138 M2	2	1.20
6	Over Arm ( 8 )	*AS7010 M1	1	129.65
7	Cap Screw	114 x 10	6	.30
8	Over Arm Rack ( 7 )	*AS7011 M1	1	25.65
9	Rack Pinion Bushing	PT7005M1	1	1.80
10	Over Arm Pinion	PT7007M1	1	8.00
11	Roll Pin	159 x 6	1	.10
12	Cap Screw	114 x 10	1	.30
13	Elevating Clutch ( 11 )	*AS7008M1	1	3.50
14	Rack Pinion Flanged Bushing	PT7006M1	1	4.35
15	Gib Screw	PT7016M1	1	.60
16	Over Arm Gib ( 15 )	*AS7014 M1	1	2.65
17	Cover Plate ( 1 )	*AS7012 M1	1	3.75
18	Over Arm Support	WRITE FOR INFORMATION		
19	Conduit Clamp	SE9000	1	.10
20	Machine Screw	101 x 604	1	.05
21	Allenut	187 x 102	2	.75
22	Hard Washer	PT7020M1	2	.35
23	Cap Screw	114 x 464	2	.95
24	Spindle Speed Plate ( 25 )	*AS7160 M1	1	1.60
24A	Spindle Speed Plate ( 25 )	*AS7161 M1	1	1.60
25	Drive Screw	130 x 3	4	.05
26	Cap Screw	114 x 428	4	.60
27	Sq. Hd. Taper Pin	PT7009M1	2	.95

PRICES NET. F.O.B. SOUTH BEND, IND. (SUBJECT TO CHANGE WITHOUT NOTICE)

**SOUTH BEND LATHE, INC.** 425 E. Madison St., South Bend 22, Indiana, U.S.A.

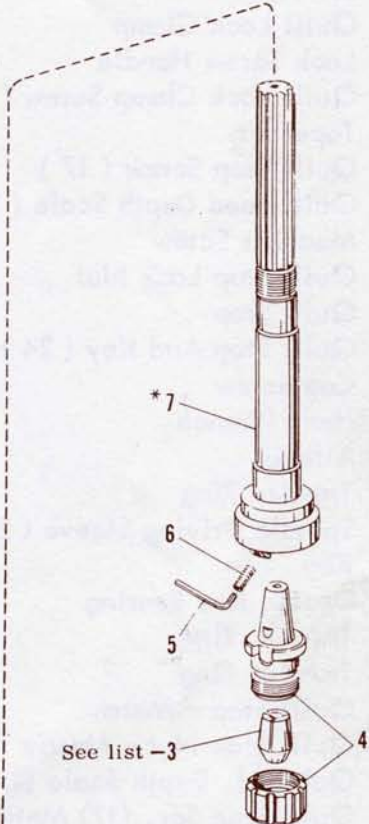
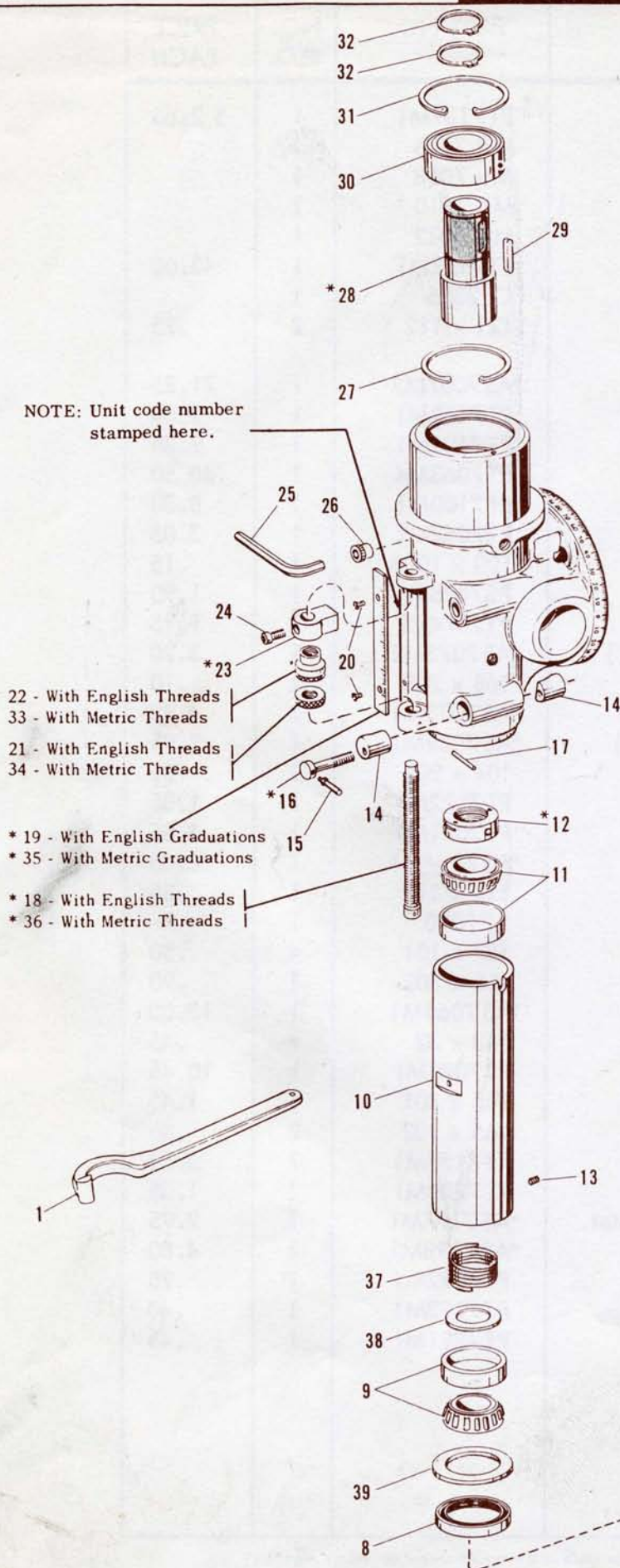
Printed in U.S.A.

**HEAD - Showing The Spindle**

MHM101 - English, Power Feed  
 MHM102 - English, Hand Feed  
 MHM101M - Metric, Power Feed  
 MHM102M - Metric, Hand Feed

NOTE: Unit code number stamped here.

\*Available only as sub-assembly. Parts included are indicated by the item numbers appearing in parenthesis after part name. Quantities are not indicated in sub-assemblies, but correct quantity of each part is included in price.



Serial Number of Vertical Milling Machine and Unit Code number "MUST" accompany order.

Continued On Reverse Side

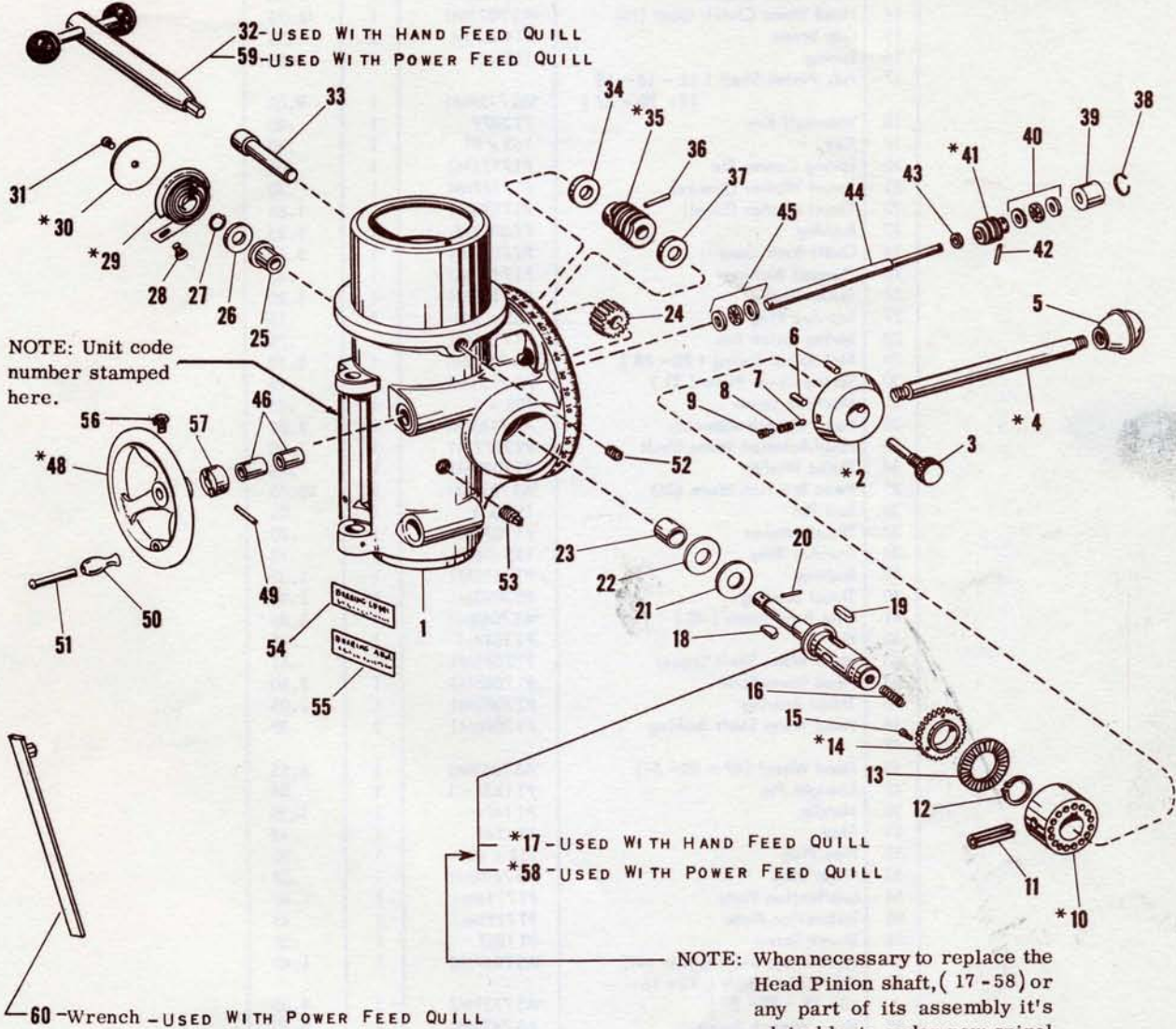
ITEM NO.	PART NAME	PART NO.	NO. REQ.	PRICE EACH
1	Spanner Wrench	PT7139M1	1	\$ 2.85
3	Collet, 3/8" Hole	MIL7006	1	
	Collet, 1/2" Hole	MIL7008	1	
	Collet, 5/8" Hole	MIL7010	1	
	Collet, 3/4" Hole	MIL7012	1	
4	Collet Chuck	PT7152M1	1	43.00
5	Hex. Wrench	CE2385	1	
6	Set Screw	121 x 112	2	.25
7	# 30 M.M. Taper Spindle ( 6-8-9 )	*AS7057M2	1	71.25
8	Oil Seal	PT7162M1	1	3.00
9	Timken Taper Roller Bearing	PT7101M1	1	9.35
10	Quill	PT7063M4	1	68.50
11	Timken Taper Roller Bearing	PT7100M1	1	8.30
12	Adjusting Nut	PT7062M2	1	3.05
13	Set Screw	120 x 1003	1	.15
14	Quill Lock Clamp	PT7075M1	1	1.90
15	Lock Screw Handle	PT7074M2	1	1.15
16	Quill Lock Clamp Screw ( 15 )	*AS7073M2	1	3.20
17	Taper Pin	168 x 208	1	.10
18	Quill Stop Screw ( 17 )	*AS7070M1	1	4.85
19	Quill Feed Depth Scale ( 20 )	*AS7059M1	1	2.95
20	Machine Screw	104 x 206	1	.05
21	Quill Stop Lock Nut	PT7072M1	1	1.35
22	Quill Stop	PT7071M1	1	3.55
23	Quill Stop And Key ( 24 )	*AS7064M1	1	3.40
24	Cap Screw	114 x 113	1	.25
25	Hex. Wrench	CE2390	1	
26	Allenut	187 x 101	4	.50
27	Tru-Arc Ring	165 x 302	1	.90
28	Spindle Driving Sleeve ( 29 )	*AS7065M1	1	13.00
29	Key	163 x 32	1	.45
30	Double Row Bearing	PT7099M1	1	10.45
31	Tru-Arc Ring	165 x 401	1	1.45
32	Tru-Arc Ring	165 x 102	2	.45
33	Quill Stop - Metric	PT7199M1	1	3.55
34	Quill Stop Nut - Metric	PT7200M1	1	1.35
35	Quill Fd. Depth Scale (20) Met.	*AS7197M1	1	2.95
36	Quill Stop Scr. (17) Metric	*AS7198M1	1	4.80
37	Spring	PT7292M1	1	.25
38	Spindle Ring	PT7293M1	1	.40
39	Knock-Out Washer	PT7291M1	1	.45

PRICES NET F.O.B. SOUTH BEND, IND. (SUBJECT TO CHANGE WITHOUT NOTICE)

Serial Number of Vertical Milling Machine and Unit Code number "MUST" accompany order.

### HEAD

MHM101 - English, Power Feed  
 MHM102 - English, Hand Feed  
 MHM101M - Metric, Power Feed  
 MHM102M - Metric, Hand Feed



Continued On Reverse Side.

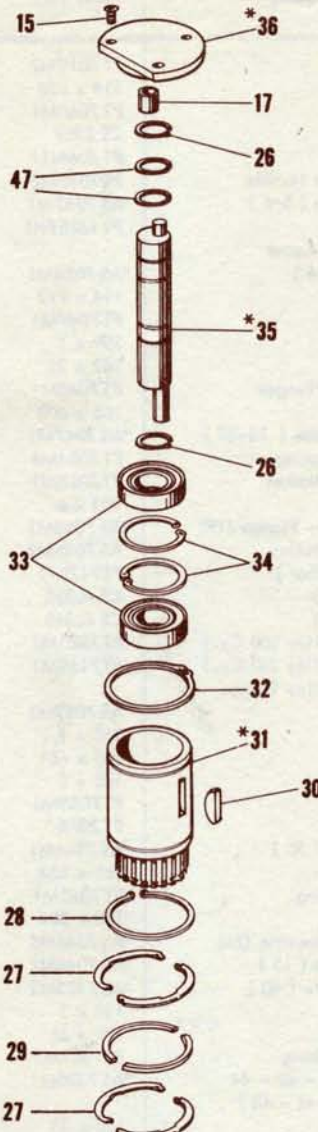
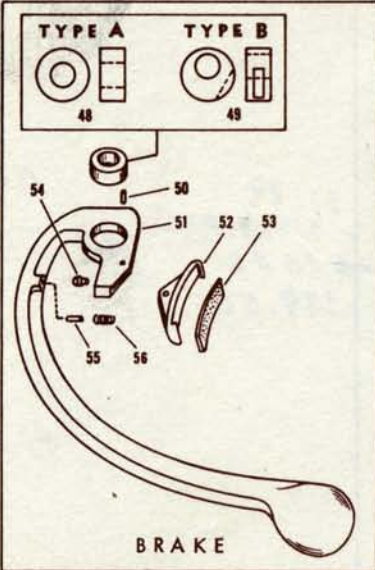


ITEM NO.	PART NAME	PART NO.	NO. REQ.	PRICE EACH
1	Head	Write For Information		
2	Quill Feed Clutch (6-7-8-9)	*AS7067M1	1	\$5.35
3	Feed Knob	PT7137M1	1	1.30
4	Handle ( 5 )	*AS7066M1	1	1.65
5	Knob	PT4048DP1	1	.50
6	Dowel	153 x 3	2	.30
7	Detent Pin	PT7289M1	1	.35
8	Spring	162 x 27	1	.30
9	Detent Screw	PT7290M1	1	.30
10	Fine Feed Clutch ( 11 )	*AS7135M1	1	9.05
11	Roll Pin	159 x 7	1	.10
12	Tru-Arc Ring	165 x 1	1	.20
13	Worm Gear Clutch	PT7136M1	1	7.00
14	Head Worm Clutch Gear (15)	*AS7023M1	1	16.75
15	Cap Screw	114 x 714	3	.25
16	Spring	162 x 7	1	.25
17	Hd. Pinion Shaft ( 12 - 16 - 18 19 - 20 - 27 )	*AS7129M1	1	9.00
18	Woodruff Key	PT2077	1	.05
19	Key	163 x 31	1	.40
20	Spring Center Pin	PT7122M1	1	.55
21	Thrust Washer (Bronze)	PT7127M1	1	.40
22	Thrust Washer (Steel)	PT7124M1	1	1.65
23	Bushing	PT5024S1	1	1.25
24	Quill Rack Gear	PT7357M1	1	5.75
25	Flanged Bushing	PT7125M1	1	.45
26	Thrust Washer	PT7123M1	1	1.20
27	Tru-Arc Ring	165 x 201	1	.15
28	Spring Catch Pin	PT7121M1	1	.70
29	Flat Spiral Spring ( 20 - 28 )	*AS7132M1	1	8.10
30	Spring Cover Plate ( 31 )	*AS7131M1	1	.95
31	Machine Screw	105 x 6	1	.05
32	Hex. Wrench Assembly	AS7165M1	1	2.00
33	Head Rotation Worm Shaft	PT7077M1	1	2.70
34	Thrust Washer	PT7080M1	1	.75
35	Head Rotation Worm (36)	*AS7078M1	1	10.75
36	Roll Pin	159 x 3	1	.05
37	Thrust Washer	PT7079M1	1	.70
38	Tru-Arc Ring	165 x 501	1	.15
39	Bushing	PT7133M1	1	1.30
40	Thrust Bearing	PT7090M1	1	2.00
41	Fine Feed Worm ( 42 )	*AS7083M1	1	8.85
42	Pin	PT1844-1	1	.05
43	Head Worm Shaft Spacer	PT7091M1	1	.45
44	Head Worm Shaft	PT7086M1	1	2.50
45	Thrust Bearing	PT7089M1	1	2.05
46	Head Worm Shaft Bushing	PT7088M1	2	.35
47				
48	Hand Wheel (49 - 50 - 51)	*AS7068M2	1	6.55
49	Straight Pin	PT1837 - 1	1	.05
50	Handle	PT1491	1	1.30
51	Stud	PT1241	1	.45
52	Pipe Plug	152 x 62	1	.30
53	Oiler Plug	AS7294M1	1	.50
54	Lubrication Plate	PT7296M1	1	.40
55	Instruction Plate	PT7295M1	1	.45
56	Thumb Screw	PT1857	1	.35
57	Head Worm Shaft Collar (49)	*AS7087M2	1	1.40
58	Hd. Pinion Shaft ( 12 - 16 - 18 - 19 - 20 - 27 )	*AS7129M2	1	9.35
59	Hex. Wrench Assembly	AS7409M1	1	6.20
60	Wrench Assembly	AS7400M1	1	1.60

PRICES NET F.O.B. SOUTH BEND, IND. (SUBJECT TO CHANGE WITHOUT NOTICE)

MIL 4218

**Drive Housing**  
**MEJ 200-50 Cycle**  
**MEJ 100-60 Cycle**  
**MEJ 201-50 Cycle**  
**MEJ 101-60 Cycle**

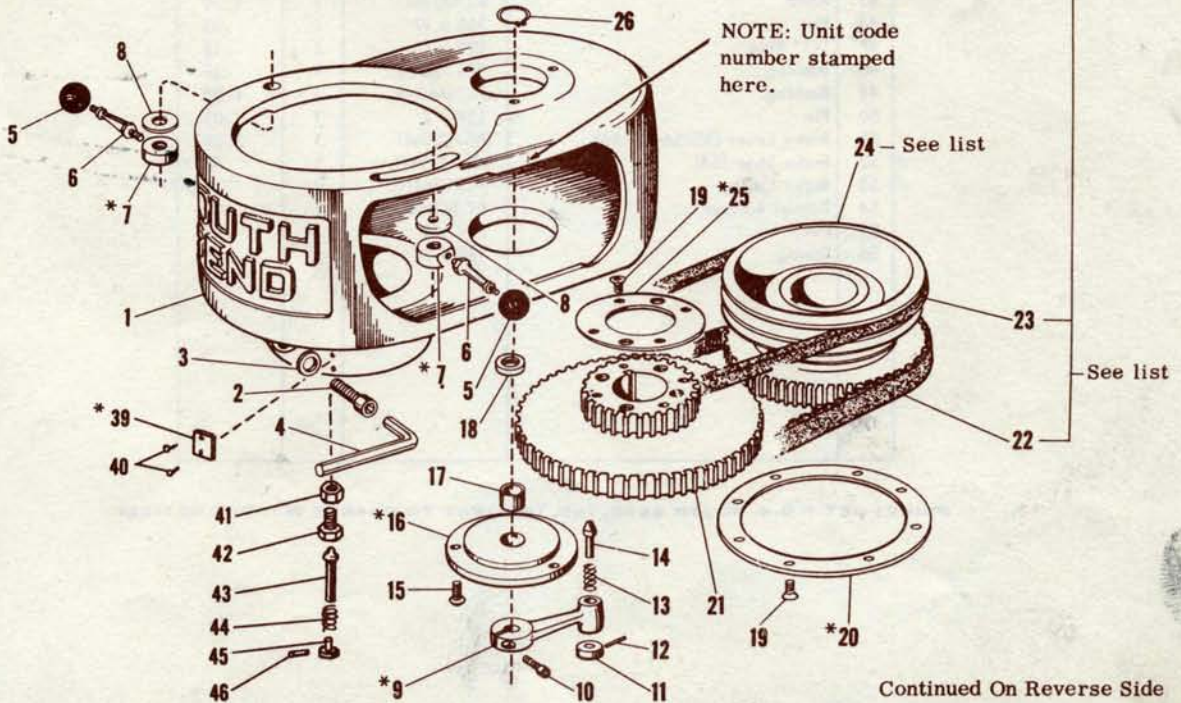


\*Available only as sub-assembly. Parts included are indicated by the item numbers appearing in parenthesis after part name. Quantities are not indicated in sub-assemblies, but correct quantity of each part is included in price.

Serial Number of Vertical Milling Machine and Unit Code number "MUST" accompany order.

When necessary to replace belt we recommend replacing both belts (item 22 and 23 at same time.)

NOTE: Unit code number stamped here.



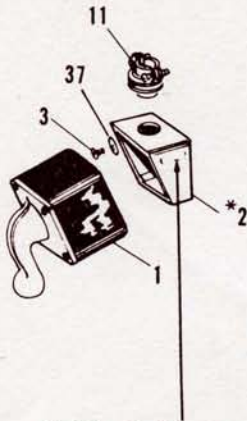
Continued On Reverse Side

ITEM NO.	PART NAME	PART NO.	NO. REQ.	PRICE EACH
1	Pulley Housing	PT7019M2	1	78.75
2	Cap Screw	114 x 228	1	.45
3	Washer	PT7060M1	1	.25
4	Allen Wrench	CE2389	1	.16
5	Bakelite Ball	PT406NT1	2	.70
6	Motor Clamp Nut Handle	PT7040M2	2	1.70
7	Motor Clamp Nut (5-6)	*AS7042M1	2	3.70
8	Washer	PT1675FH1	2	.05
9	Timing Belt Adj. Lever (10-11-12-13-14)	*AS7026M1	1	8.65
10	Cap Screw	114 x 712	1	.25
11	Knurled Knob	PT7049M1	1	.90
12	Roll Pin	159 x 1	1	.05
13	Coil Spring	162 x 35	1	.05
14	Adjusting Lever Plunger	PT7048M1	1	1.05
15	Machine Screw	105 x 608	6	.05
16	Lower Bearing Plate (15-17)	*AS7047M1	1	6.65
17	Counter Shaft Bearing	PT7054M1	2	.55
18	Eccentric Shaft Washer	PT7058M1	1	.60
19	Machine Screw	103 x 6	12	.05
20	Timing Belt Pulley Flange (19)	*AS7050M1	1	7.40
21	Spindle Driving Pulley	AS7035M2	1	31.50
22	Timing Belt (Rubber)	PT7170-1	1	5.39
23	V-Belt (60 Cy.)	CE4L320	1	1.34
	V-Belt (50 Cy.)	CE4L310	1	1.32
24	Counter Shaft Pulley (60 Cy.)	PT7025M1	1	49.45
	Counter Shaft Pulley (50 Cy.)	PT7169M1	1	44.25
25	Spindle Drive Pulley Flange (19)	*AS7053M1	1	3.70
26	Tru-Arc Ring	165 x 1	2	.20
27	Tru-Arc Ring	165 x 601	2	.60
28	Tru-Arc Ring	165 x 2	1	.65
29	Belt Flange	PT7055M1	1 pr.	1.15
30	Woodruff Key	PT2078	1	.30
31	Bearing Housing (30)	*AS7044M1	1	18.90
32	Tru-Arc Ring	165 x 103	1	.80
33	Sealed Ball Bearing	PT7061M1	2	3.40
34	Tru-Arc Ring	165 x 301	2	.45
35	Counter Shaft Eccentric (26)	*AS7045M1	1	7.30
36	Top Bearing Plate (15)	*AS7046M1	1	5.80
39	Spindle Lock Plate (40)	*AS7323M1	1	.70
40	Drive Screw	130 x 3	2	.05
41	Nut	139 x 35	1	.15
42	Spindle Lock Bushing	PT7321M1	1	1.35
43	Lock Plunger (41 - 42 - 44 -45 - 46)	*AS7320M1	1	4.05
44	Spring	162 x 35	1	.05
45	Knob	PT7322M1	1	1.50
46	Pin	160 x 27	1	.05
47	"O" Ring	193 x 16	2	.15
48	Bushing	PT7328M1	1	.45
49	Bushing	1136MC-B	1	1.80
50	Pin	159 x 2	1	.05
51	Brake Lever (50-54-55-56)	*AS7330M1	1	2.65
52	Brake Shoe (53)	*AS7325M1	1	.85
53	Brake Lining	PT7326M1	1	.35
54	Rubber Bumper	PT387NK1	1	.05
55	Pin	159 x 3	1	.05
56	Spring	162 x 7	1	.25

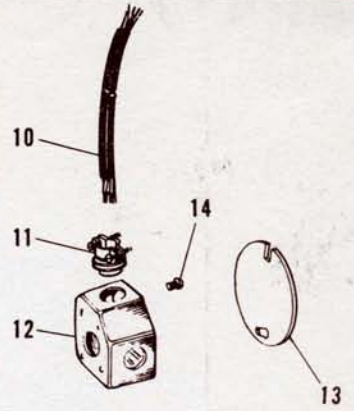
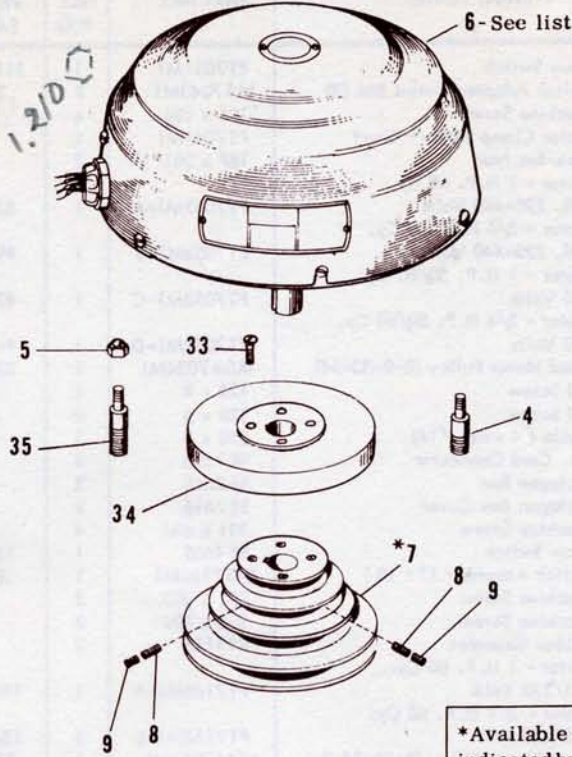
79.79  
 330 H 075 } A-1  
 #2320 } \$8.89  
 124.50

PRICES NET F.O.B. SOUTH BEND, IND. (SUBJECT TO CHANGE WITHOUT NOTICE)

**MOTOR  
MCM 100 F**



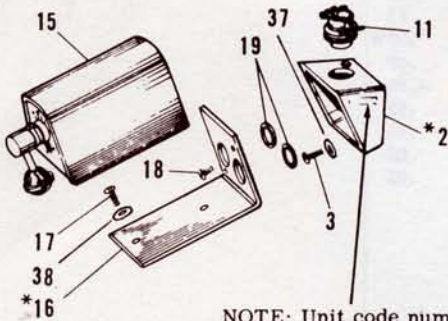
NOTE: Unit code number stamped here.



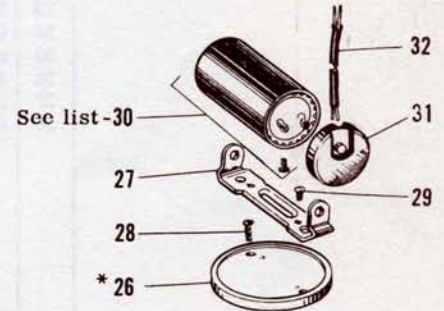
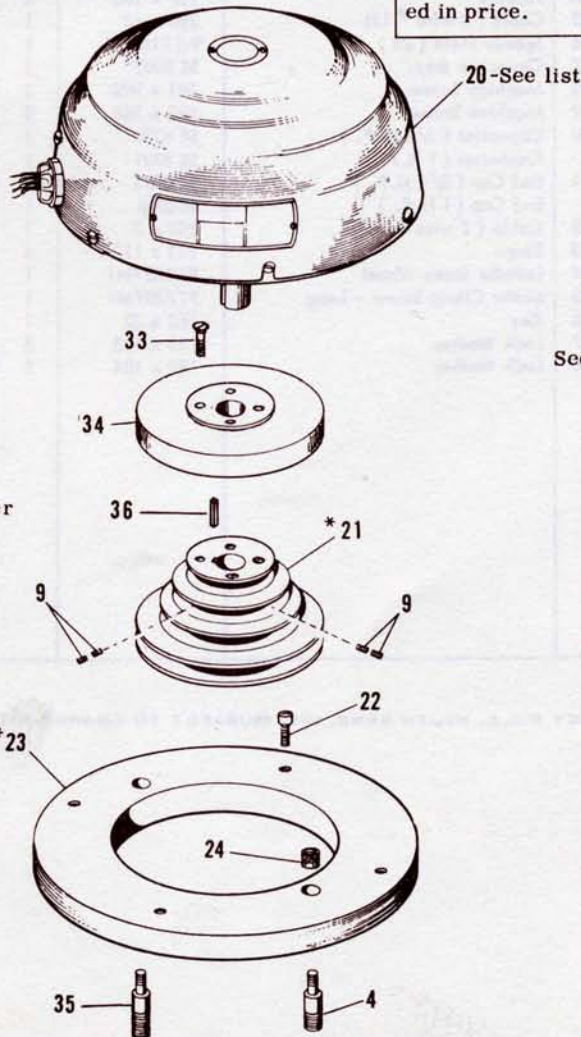
**3 PHASE**

Serial Number of Vertical Milling Machine and Unit Code number "MUST" accompany order.

\*Available only as sub-assembly. Parts included are indicated by the item numbers appearing in parenthesis after part name. Quantities are not indicated in sub-assemblies, but correct quantity of each part is included in price.



NOTE: Unit code number stamped here.



**MOTOR  
MCM 200 A**

**1 PHASE**

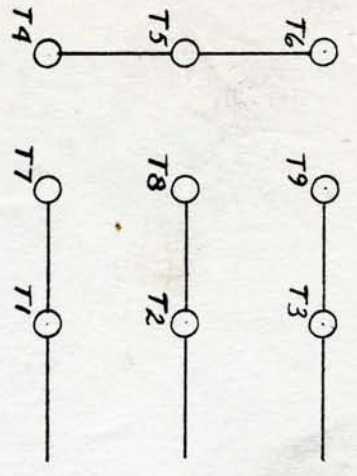
Serial Number of Vertical Milling Machine and Unit Code number "MUST" accompany order.

Continued On Reverse Side

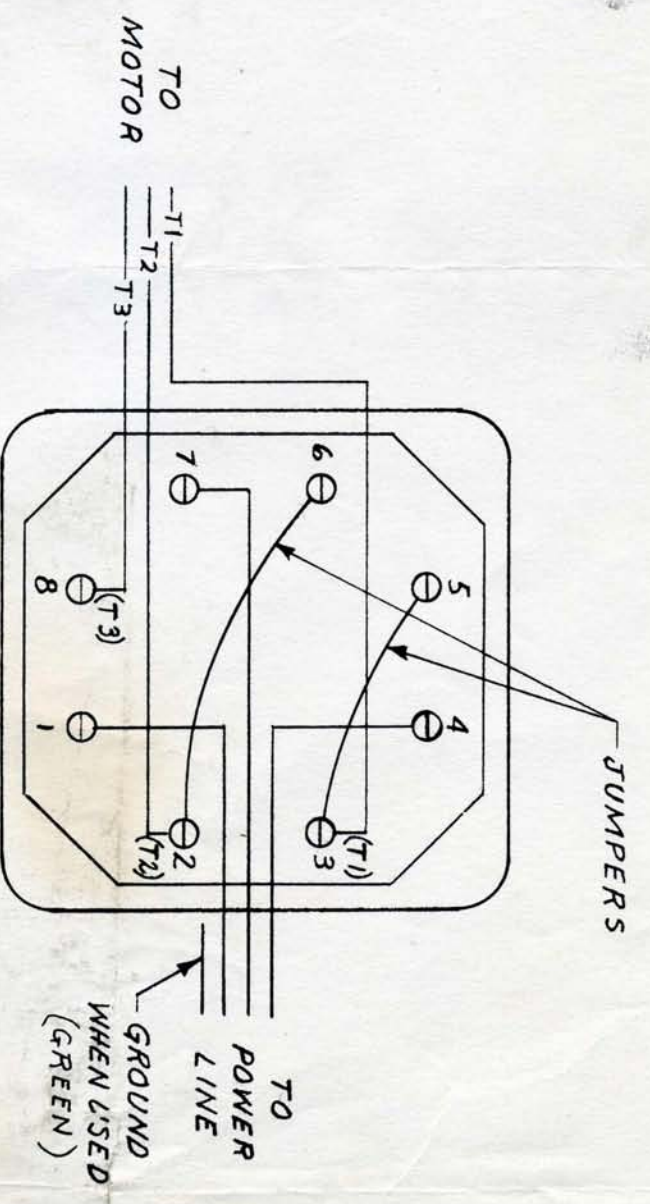
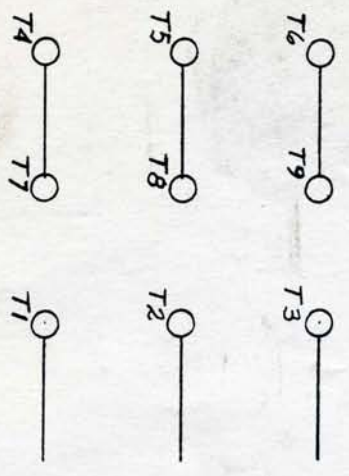
ITEM NO.	PART NAME	PART NO.	NO. REQ.	PRICE EACH
1	Drum Switch	PT7051M1	1	\$11.00
2	Switch Adapter Outlet Box (3)	*AS7043M1	2	2.00
3	Machine Screw	101 x 106	4	.05
4	Motor Clamp Screw - Short	PT7041M1	1	.45
5	Flex-loc Nut	187 x 201	2	.15
6	Motor - 1 H.P. 60 Cy. 208, 220-440 Volts	PT7052M1-A	1	83.50
	Motor - 3/4 H.P. 60 Cy. 208, 220-440 Volts	PT7052M1-B	1	99.50
	Motor - 1 H.P. 50/60 Cy. 550 Volts	PT7052M1-C	1	83.50
	Motor - 3/4 H.P. 50/60 Cy. 550 Volts	PT7052M1-D	1	99.50
7	Head Motor Pulley (8-9-33-34)	*ASA7024M1	1	22.25
8	Set Screw	120 x 8	2	.20
9	Set Screw	120 x 6	6	.15
10	Cable ( 4 wire, #14)	250 x 3	1	.80 ft
11	Str. Cord Connector	SE7100	4	.25
12	Octagon Box	SE7615	2	.65
13	Octagon Box Cover	SE7616	2	.20
14	Machine Screw	101 x 606	4	.05
15	Drum Switch	SE4605	1	13.00
16	Switch Adapter ( 17 - 18 )	*AS7166M1	1	3.30
17	Machine Screw	101 x 303	2	.05
18	Machine Screw	103 x 106	2	.05
19	Rubber Grammet	PT1113	2	.05
20	Motor - 1 H.P. 60 Cy. 115/230 Volts	PT7168M1-A	1	101.00
	Motor - 3/4 H.P. 60 Cy. 115/230 Volts	PT7168M1-B	1	133.00
21	Head Motor Pulley (9-33-34-36)	*ASA7096M1	1	22.50
22	Cap Screw	114 x 216	4	.45
23	Motor Adapter Plate (4-22-24)	*AS7097M1	1	12.10
24	Allenut	187 x 103	2	.50
25	Cable ( 3 wire # 12)	250 x 13	1	.90 ft
26	Spacer Plate ( 28 )	*AS7167M1	1	3.40
27	Capacitor Brkt.	SE8002	1	.60
28	Machine Screw	101 x 108	2	.05
29	Machine Screw	103 x 106	2	.05
30	Capacitor ( 3/4 H.P. )	SE8000	1	3.00
	Capacitor ( 1 H.P. )	SE8001	1	4.50
31	End Cap ( 3/4 H.P. )	SE8003	1	.60
	End Cap ( 1 H.P. )	SE8004	1	.75
32	Cable ( 2 wire # 16 )	250 x 7	1	.20 ft
33	Screw	103 x 112	4	.05
34	Spindle Brake Wheel	PT7329M1	1	4.95
35	Motor Clamp Screw - Long	PT7327M1	1	.65
36	Key	163 x 32	1	.45
37	Lock Washer	183 x 103	2	.05
38	Lock Washer	182 x 104	2	.05

PRICES NET F.O.B. SOUTH BEND, IND. (SUBJECT TO CHANGE WITHOUT NOTICE)

LOW VOLTAGE CONNECTIONS  
AT MOTOR (220V.)



HIGH VOLTAGE CONNECTIONS  
AT MOTOR (440V.)

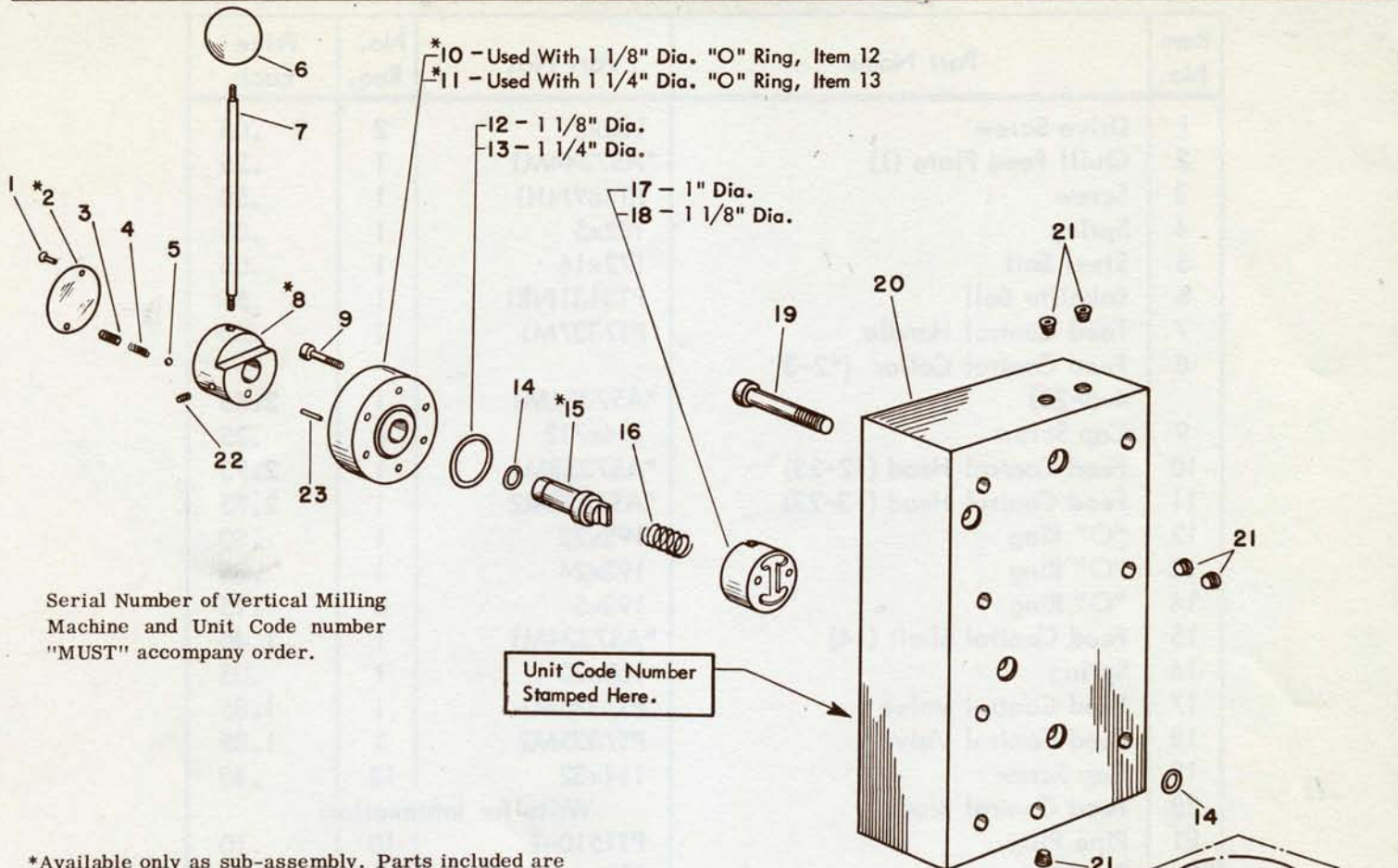


ALLEN-BRADLEY DRUM SWITCH  
BULLETIN 350 - SIZE "O" - STYLE "A"  
SERIES #350A0V32A

NOTE:  
INTERCHANGE MOTOR LEADS "T1" & "T3" AT  
SWITCH TO REVERSE ROTATION OF  
MOTOR.

MOTOR - FAIRBANKS MORSE OR G.E,  
H.P. - 3/4 #1 VOLTS - 220/440 OR 550  
PHASE - 3  
CYCLES - 60

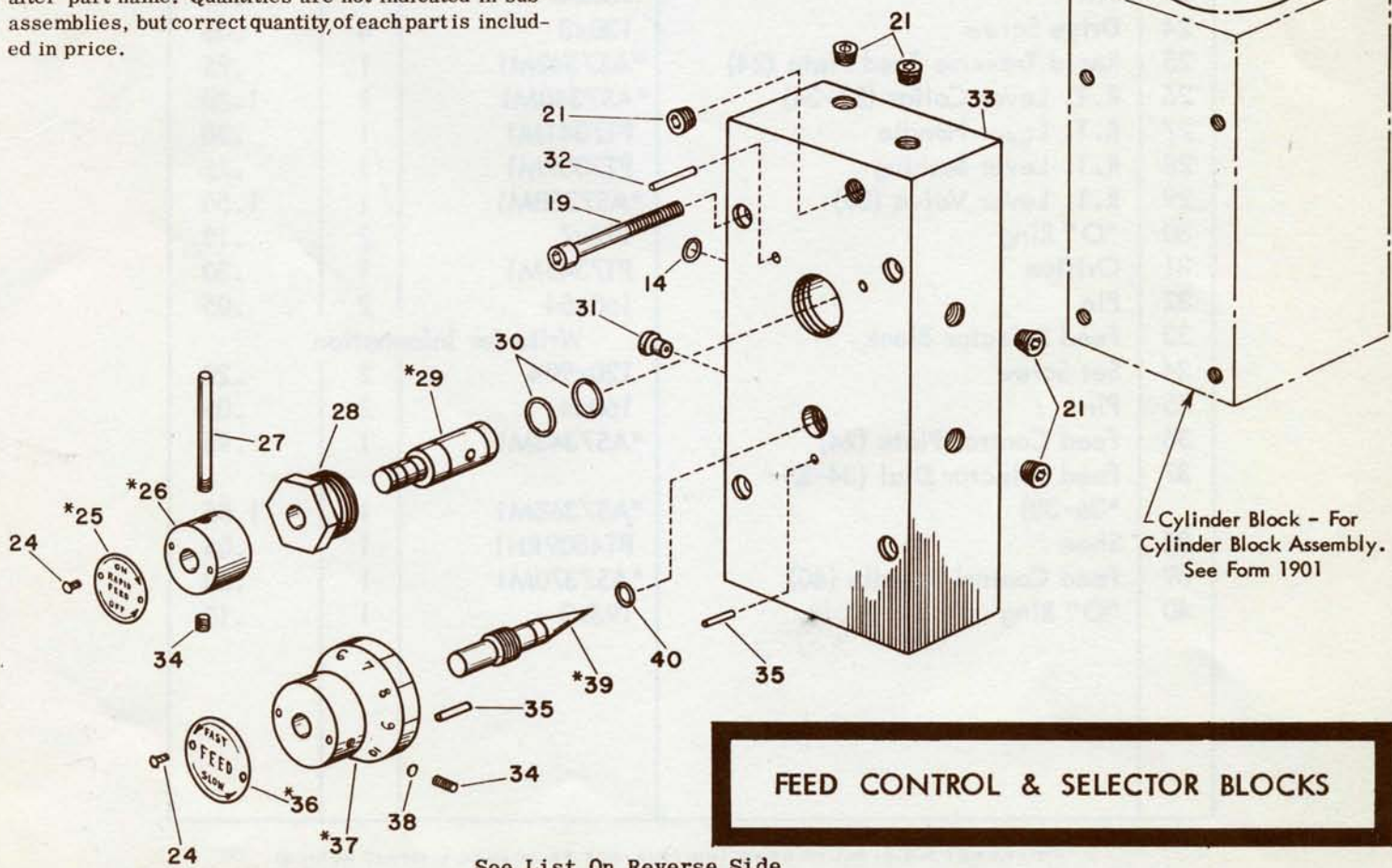
DATE	LET.	WAS	DR. NOTICE	6-16-55	1-17-56		
UNIT				MOTOR CONTROL	A.C.		
SHEET NO.				1	NO. SHEETS	1	
SCALE							
SOUTH BEND LATHÉ WORKS				SOUTH BEND, IND., U.S.A.			
DRAWN BY		C.K.D. BY		TRACED BY		C.K.D. BY	
J.P.N.		FAIRENAS					



Serial Number of Vertical Milling Machine and Unit Code number "MUST" accompany order.

Unit Code Number Stamped Here.

\*Available only as sub-assembly. Parts included are indicated by the item numbers appearing in parenthesis after part name. Quantities are not indicated in sub-assemblies, but correct quantity of each part is included in price.



**FEED CONTROL & SELECTOR BLOCKS**

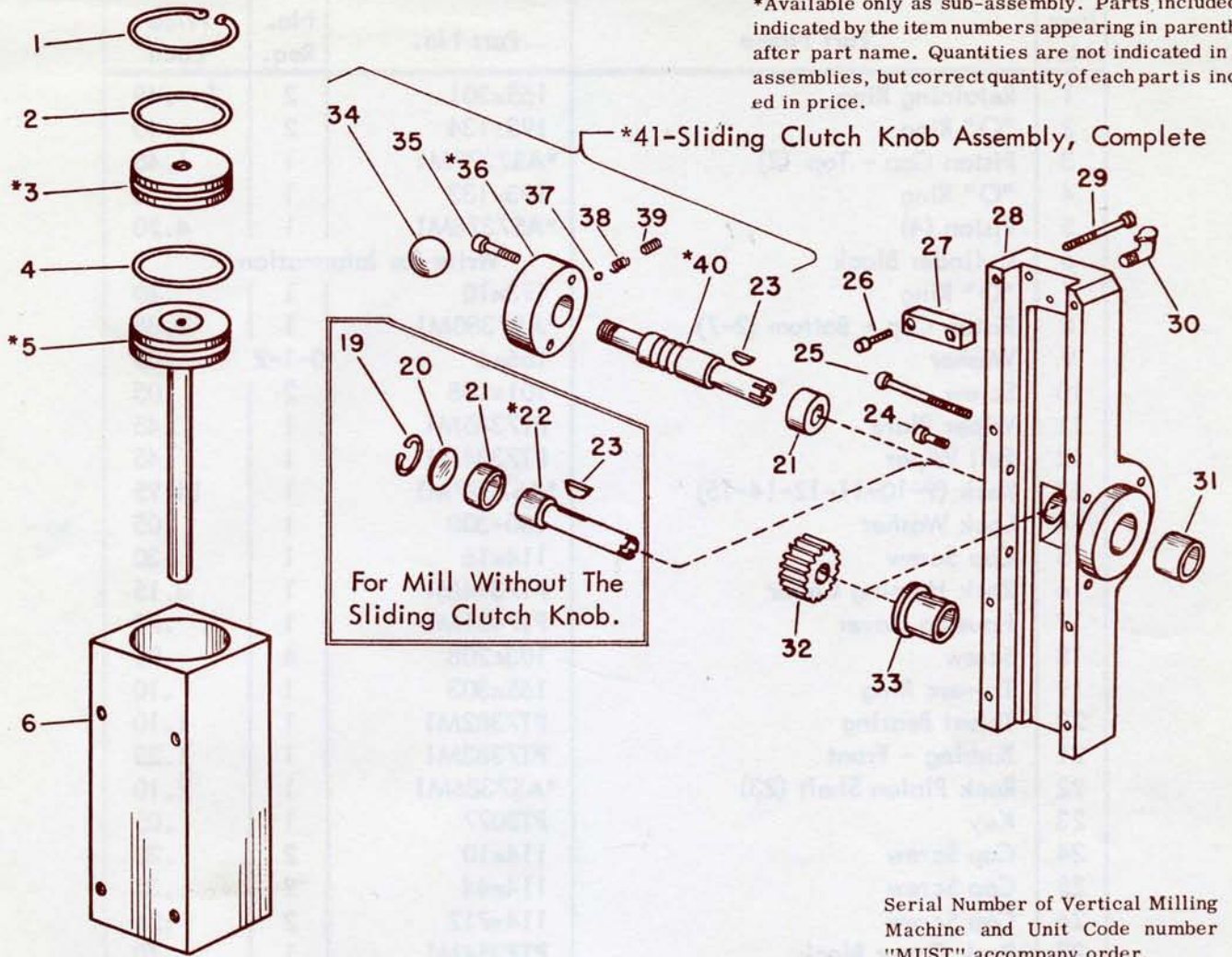
See List On Reverse Side

Item No.	Part Name	Part No.	No. Req.	Price Each
1	Drive Screw	132x2	2	\$ .05
2	Quill Feed Plate (1)	*AS7344M1	1	.25
3	Screw	PT489NH1	1	.50
4	Spring	162x5	1	.05
5	Steel Ball	172x16	1	.05
6	Bakelite Ball	PT3131NR1	1	.55
7	Feed Control Handle	PT7337M1	1	.50
8	Feed Control Collar (*2-3 4-5-22)	*AS7336M1	1	2:55
9	Cap Screw	114x712	6	.25
10	Feed Control Head (12-23)	*AS7333M1	1	2.90
11	Feed Control Head (13-23)	*AS7333M2	1	2.75
12	"O" Ring	193x22	1	.50
13	"O" Ring	193x24	1	.35
14	"O" Ring	193x5	6	.15
15	Feed Control Shaft (14)	*AS7334M1	1	1.40
16	Spring	162x30	1	.05
17	Feed Control Valve	PT7335M1	1	1.85
18	Feed Control Valve	PT7335M2	1	1.85
19	Cap Screw	114x32	12	.40
20	Feed Control Block	Write for Information		
21	Pipe Plug	PT1510-1	10	.10
22	Set Screw	120x6	1	.15
23	Pin	160x47	1	.05
24	Drive Screw	130x3	4	.05
25	Rapid Traverse Feed Plate (24)	*AS7342M1	1	.95
26	R. T. Lever Collar (27-34)	*AS7340M1	1	1.20
27	R. T. Lever Handle	PT7341M1	1	.20
28	R. T. Lever Bushing	PT7339M1	1	.75
29	R. T. Lever Valve (30)	*AS7338M1	1	1.50
30	"O" Ring	193x7	2	.15
31	Orifice	PT7345M1	1	.30
32	Pin	160x54	2	.05
33	Feed Selector Block	Write for Information		
34	Set Screw	120x904	2	.20
35	Pin	160x4	2	.05
36	Feed Control Plate (24)	*AS7343M1	1	.95
37	Feed Selector Dial (34-35- *36-38)	*AS7368M1	1	1.55
38	Shoe	PT4809RH1	1	.05
39	Feed Control Needle (40)	*AS7370M1	1	.80
40	"O" Ring	193x3	1	.15

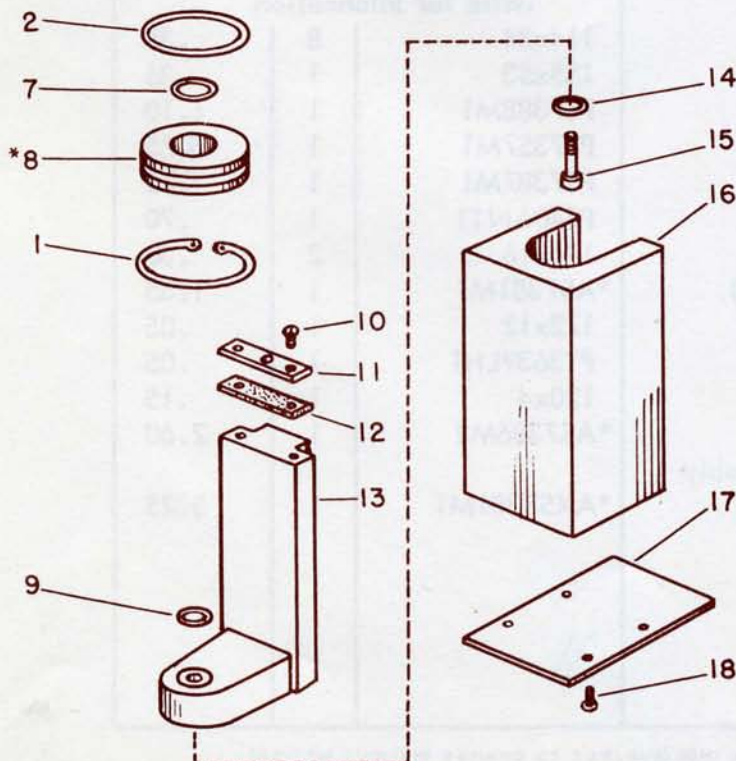
PRICES NET F.O.B. SOUTH BEND, IND. (SUBJECT TO CHANGE WITHOUT NOTICE)



\*Available only as sub-assembly. Parts included are indicated by the item numbers appearing in parenthesis after part name. Quantities are not indicated in sub-assemblies, but correct quantity of each part is included in price.



Serial Number of Vertical Milling Machine and Unit Code number "MUST" accompany order.

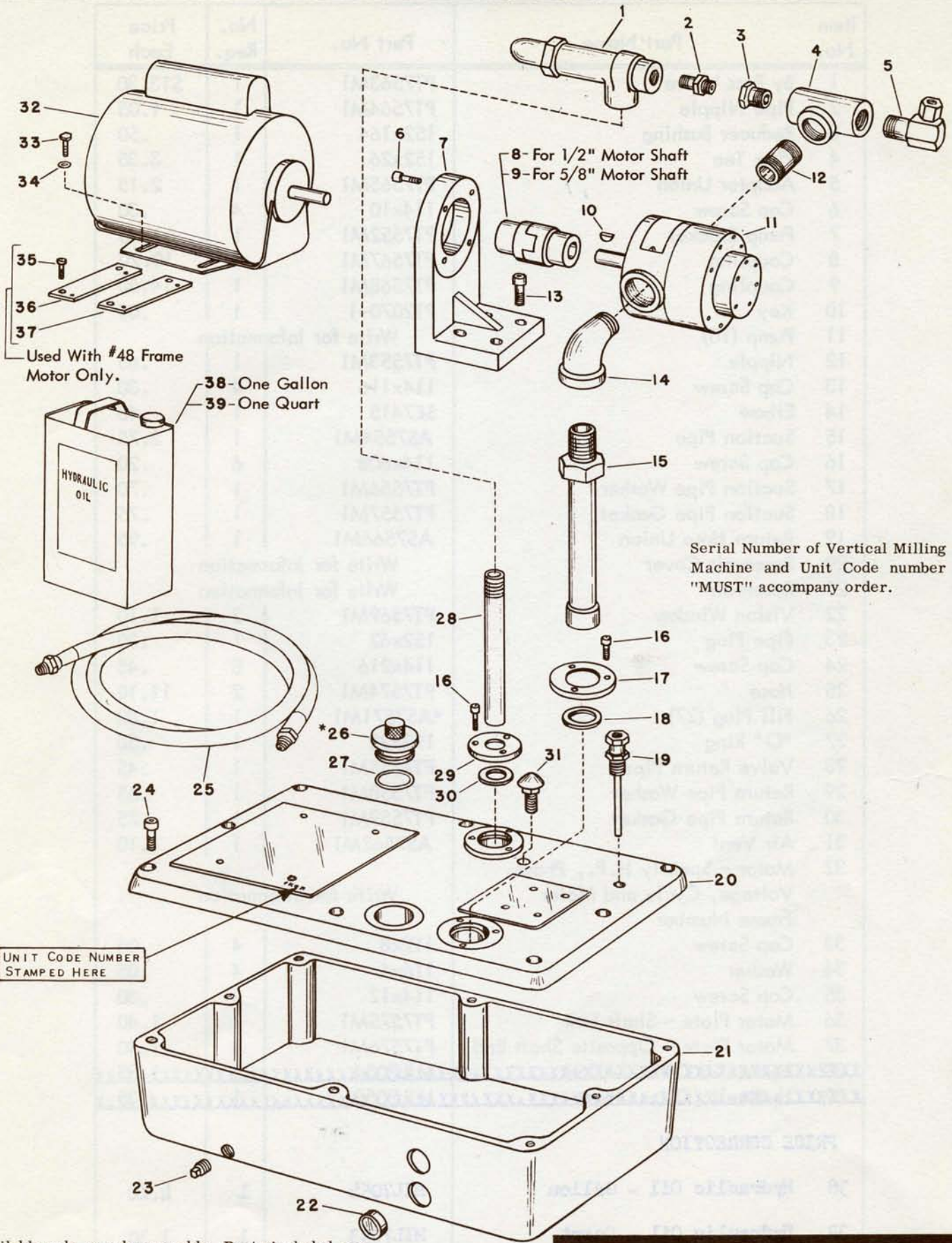


**CYLINDER BLOCK & RACK**

See List On Reverse Side

Item No.	Part Name	Part No.	No. Req.	Price Each
1	Retaining Ring	165x301	2	\$ .45
2	"O" Ring	193x134	2	.40
3	Piston Cap - Top (2)	*AS7379M1	1	1.45
4	"O" Ring	193x133	1	.40
5	Piston (4)	*AS7378M1	1	4.20
6	Cylinder Block	Write for Information		
7	"O" Ring	193x10	1	.20
8	Piston Cap - Bottom (2-7)	*AS7380M1	1	1.85
9	Washer	166x6	0-1-2	.05
10	Screw	101x108	2	.05
11	Wiper Plate	PT7385M1	1	.45
12	Felt Wiper	PT7384M1	1	.45
13	Rack (9-10-11-12-14-15)	*AS7377M1	1	14.95
14	Lock Washer	180-300	1	.05
15	Cap Screw	114x16	1	.30
16	Rack Housing Cover	PT7394M1	1	3.15
17	Housing Cover	PT7401M1	1	.70
18	Screw	103x208	4	.05
19	Tru-arc Ring	165x303	1	.10
20	Thrust Bearing	PT7382M1	1	1.10
21	Bushing - Front	PT7383M1	1	1.25
22	Rack Pinion Shaft (23)	*AS7386M1	1	2.10
23	Key	PT2077	1	.05
24	Cap Screw	114x10	2	.30
25	Cap Screw	114x44	2	.35
26	Cap Screw	114x712	2	.25
27	Rack Cover Block	PT7354M1	1	.70
28	Rack Pinion Shaft Housing	Write for Information		
29	Cap Screw	114x24	8	.35
30	Oiler	155x53	1	.35
31	Bushing - Rear	PT7388M1	1	1.10
32	Quill Rack Gear	PT7357M1	1	5.75
33	Flange Bushing	PT7387M1	1	.75
34	Bakelite Ball	PT406NT1	1	.70
35	Cap Screw	114x16	2	.30
36	Retaining Plate (37-38-39)	*AS7381M1	1	1.35
37	Steel Ball	172x12	1	.05
38	Spring	PT3639LH1	1	.05
39	Set Screw	120x4	1	.15
40	Rack Pinion Shaft (23)	*AS7386M2	1	2.60
41	Sliding Clutch Knob Assembly (34-35-*36-*40)	*AXS7381M1	1	5.25

PRICES NET F.O.B. SOUTH BEND, IND. (SUBJECT TO CHANGE WITHOUT NOTICE)



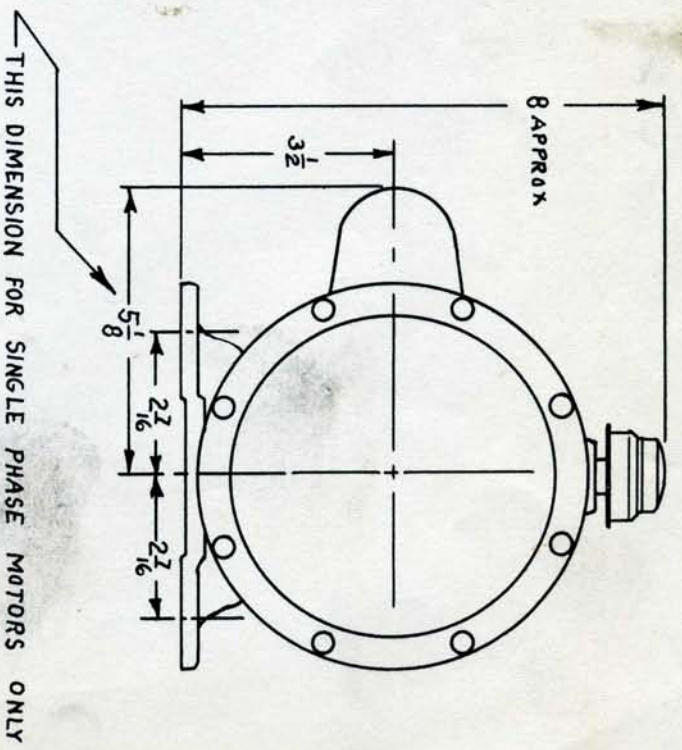
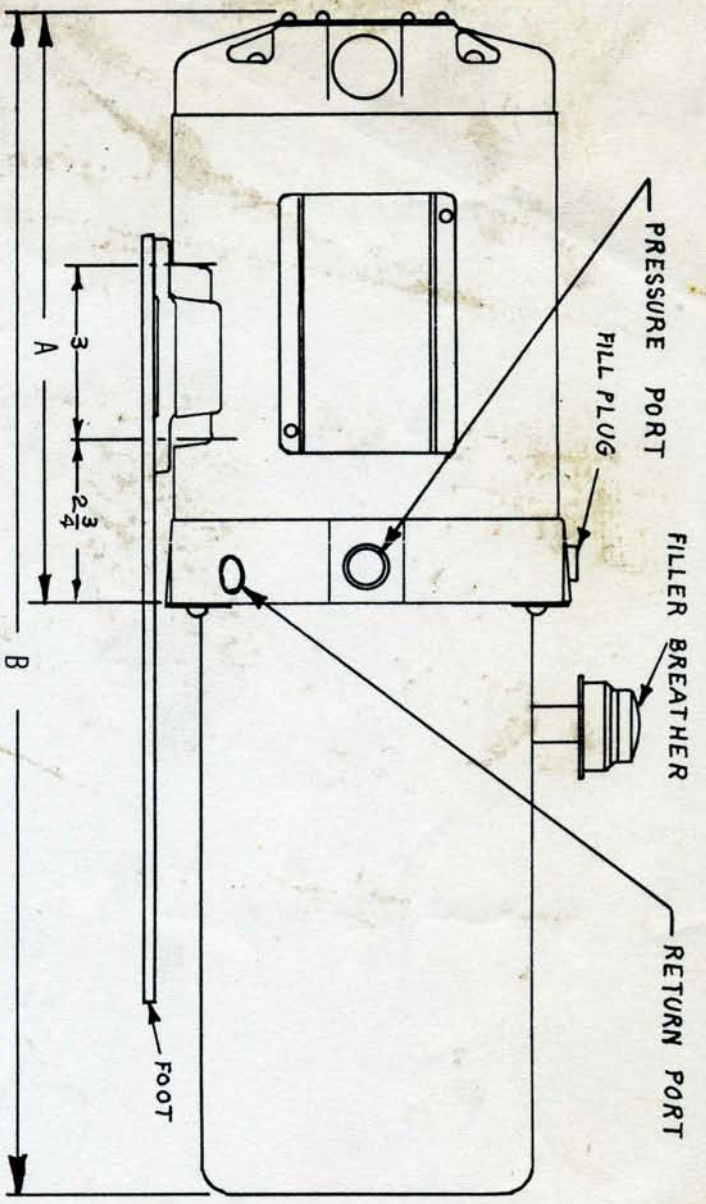
\*Available only as sub-assembly. Parts included are indicated by the item numbers appearing in parenthesis after part name. Quantities are not indicated in sub-assemblies, but correct quantity of each part is included in price.

See List On Reverse Side

**HYDRAULIC PUMP & RESERVOIR**

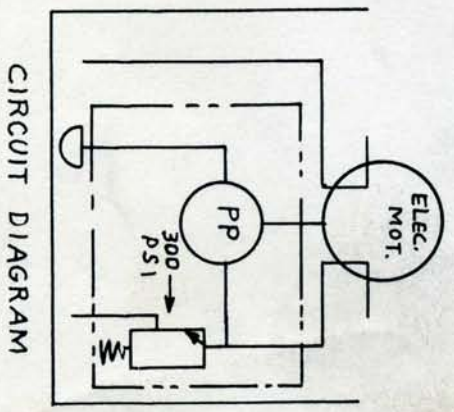
Item No.	Part Name	Part No.	No. Req.	Price Each
1	By Pass Valve	PT7563M1	1	\$13.30
2	Pipe Nipple	PT7564M1	1	1.05
3	Reducer Bushing	152x164	1	.50
4	Pipe Tee	152x26	1	3.35
5	Adapter Union	PT7565M1	1	2.15
6	Cap Screw	114x10	4	.30
7	Pump Bracket	PT7552M1	1	1.45
8	Coupling	PT7567M1	1	10.20
9	Coupling	PT7568M1	1	14.60
10	Key	PT2070-1	1	.05
11	Pump (10)	Write for Information		
12	Nipple	PT7553M1	1	.65
13	Cap Screw	114x116	4	.30
14	Elbow	SE7415	1	.45
15	Suction Pipe	AS7554M1	1	2.75
16	Cap Screw	114x608	6	.20
17	Suction Pipe Washer	PT7556M1	1	.70
18	Suction Pipe Gasket	PT7557M1	1	.75
19	Return Hose Union	AS7566M1	1	.95
20	Reservoir Cover	Write for Information		
21	Reservoir	Write for Information		
22	Vision Window	PT7569M1	2	1.10
23	Pipe Plug	152x62	1	.30
24	Cap Screw	114x216	8	.45
25	Hose	PT7574M1	2	11.10
26	Fill Plug (27)	*AS7571M1	1	1.80
27	"O" Ring	193x22	1	.50
28	Valve Return Pipe	PT7555M1	1	.45
29	Return Pipe Washer	PT7558M1	1	.65
30	Return Pipe Gasket	PT7559M1	1	.75
31	Air Vent	AS7562M1	1	1.10
32	Motor - Specify H.P., Phase, Voltage, Cycle and Motor Frame Number	Write for Information		
33	Cap Screw	112x8	4	.05
34	Washer	116x6	4	.05
35	Cap Screw	114x12	4	.30
36	Motor Plate - Shaft End	PT7575M1	1	1.40
37	Motor Plate - Opposite Shaft End	PT7576M1	1	1.40
38	Hydraulic Oil - Gallon	MIL7054	1	1.35
39	Hydraulic Oil - Quart	MIL7053	1	.35
PRICE CORRECTION				
38	Hydraulic Oil - Gallon	MIL7054	1	4.10
39	Hydraulic Oil - Quart	MIL7053	1	1.30

PRICES NET F.O.B. SOUTH BEND, IND. (SUBJECT TO CHANGE WITHOUT NOTICE)



1. Remove pump from crate base.
2. In the return port install 1/4 street ell 152x56, and hose adapter fitting PX7566ML.
3. Fasten feet PT7548ML on pump with 4 hex. hd. cap screws 112x110.
4. In the pressure port install 3/8 street ell 152x51, 3/8 x 1/4 pipe reducer 152x162, and hose adapter fitting PX7566ML.
5. Remove plugs in hydraulic head where marked inlet and exhaust and connect hydraulic hoses PT7574ML.
6. Connect opposite ends of hydraulic hoses to inlet and outlet of pump.
7. Add 1 gal. of CE7054 hydraulic oil to pump.
8. Attach cord set to pump motor per diagram on motor outlet box cover and check rotation of motor.

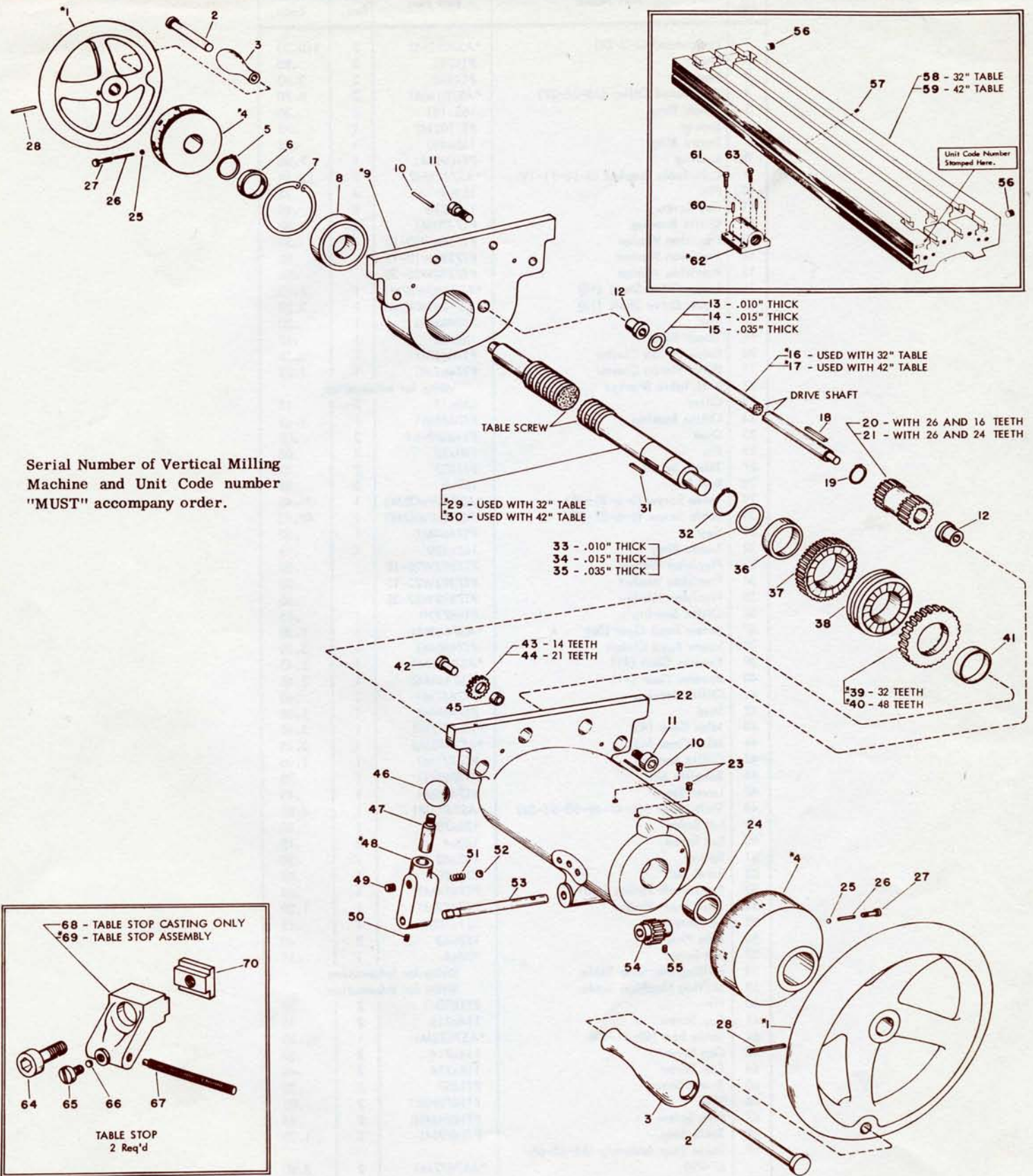
Part No.	CUSTOMERS Part No.	Pump No.	Motor Description	A	B
GC3510-HA-E053	PT7577-2A	GC3512-BA-EA-5	GC 600-53 1/4 HP 115-230V 1Ø 60 CYCLE 1725 RPM TEN V.	3 9 32	5 19 32
GC3510-HA-ED5-4	PT7577-2C	GC3512-BA-EA-5	GC-602-53 1/4 HP 208-220-440V 60-50 CYCLE 3Ø 1725-1425 RPM TEN V.	11 8 32	13 18 32
GC3510-HA-E05-5	PT7577-2D	GC3512-BA-EA-5	GC 602-N-53 1/4 HP 550V 3Ø 60-50 CYCLE 1725-1425 RPM TEN V.	11 8 32	13 18 32
GC3510-HA-E05-6	PT7577-2B	GC3512-BA-EA-5	GC 600-V-53 1/4 HP 115-230 V 1Ø 50 CYCLE 1425 RPM	3 9 32	5 19 32
GC3510-HA-E05	PT7577-2F	GC3512-BA-EA-5	GC-602-QV-46 1/4 HP 3Ø V 3Ø 50/60 CYCLE 1425/1725 RPM TEN V.	11 8 32	13 18 32



CIRCUIT DIAGRAM

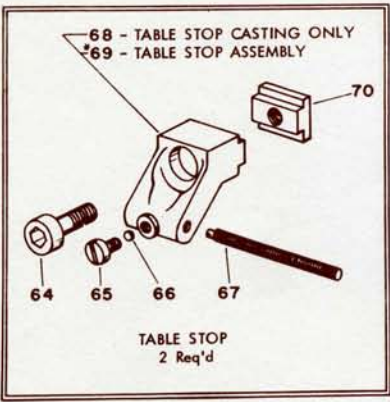
HYDRAULIC PUMP (BARNES)

For VERT. MILL



Serial Number of Vertical Milling Machine and Unit Code number "MUST" accompany order.

\*29 - USED WITH 32" TABLE  
\*30 - USED WITH 42" TABLE



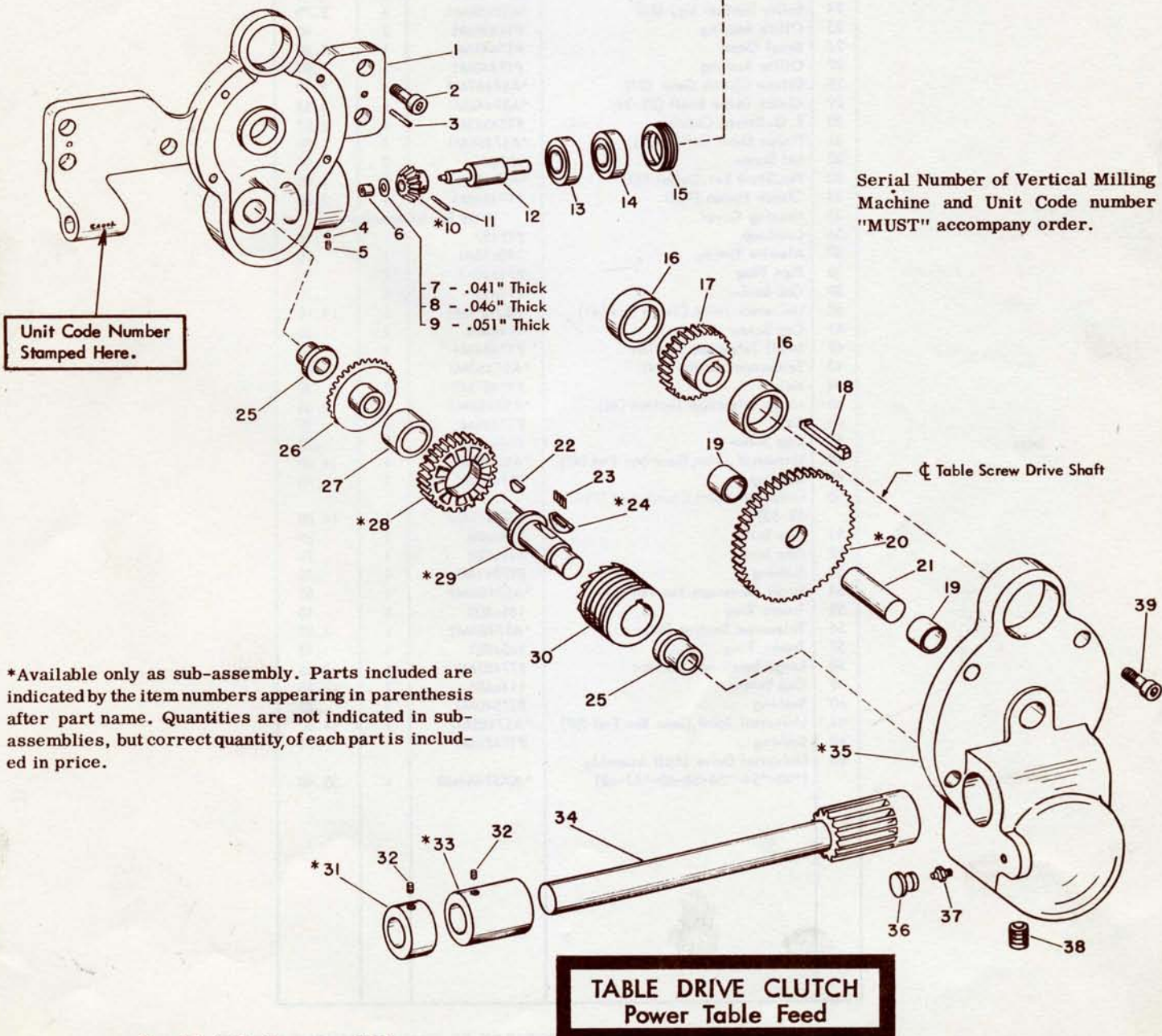
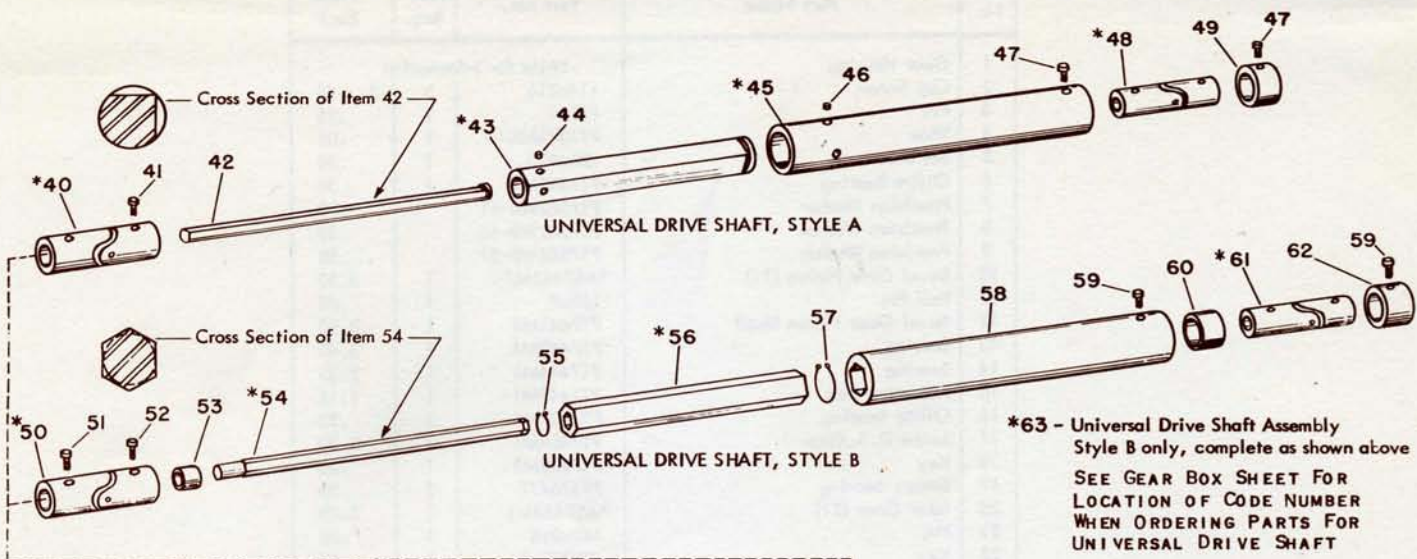
**TABLE  
Power Table Feed**

\*Available only as sub-assembly. Parts included are indicated by the item numbers appearing in parenthesis after part name. Quantities are not indicated in sub-assemblies, but correct quantity of each part is included in price.

See List On Reverse Side

Item No.	Part Name	Part No.	No. Req.	Price Each
1	Handwheel (2-3-28)	*AS7092M2	2	\$10.20
2	Stud	PT1246	2	.95
3	Handle	PT1496	2	3.60
4	Graduated Collar (25-26-27)	*AS7018M1	2	9.70
5	Truarc Ring	165x101	1	.30
6	Spacer	PT7102M1	1	.70
7	Truarc Ring	165x402	1	.65
8	Bearing	PT7098M1	1	7.60
9	L. H. Table Bracket (8-10-11-12)	*AS7028M2	1	22.15
10	Pin	153x1	4	.25
11	Cap Screw	114x216	8	.45
12	Oilite Bearing	PT7470M1	2	.80
13	Precision Washer	PT7584W10-10		.50
14	Precision Washer	PT7584W10-15		.50
15	Precision Washer	PT7584W10-35		.50
16	Screw Drive Shaft (18)	*AS7460W32M1	1	2.95
17	Screw Drive Shaft (18)	*AS7460W42M1	1	3.20
18	Key	PT7462M1	1	.20
19	Truarc Ring	165x62	1	.10
20	Drive Pinion Cluster	PT7461M1	1	3.55
21	Drive Pinion Cluster	PT7461M2	1	3.55
22	R. H. Table Bracket	Write for Information		
23	Oiler	155x17	2	.15
24	Oilite Bearing	PT7478M1	1	1.65
25	Shoe	PT1080NK1	2	.05
26	Pin	160x25	2	.05
27	Thumb Screw	PT1857	2	.35
28	Roll Pin	159x5	2	.05
29	Table Screw (5-6-31-32)	*AS7459W32M1	1	41.45
30	Table Screw (5-6-31-32)	*AS7459W42M1	1	49.95
31	Key	PT7464M1	1	.30
32	Truarc Ring	165x100	1	.15
33	Precision Washer	PT7592W22-10		.50
34	Precision Washer	PT7592W22-15		.50
35	Precision Washer	PT7592W22-35		.50
36	Oilite Bearing	PT687FH1	1	.65
37	Screw Feed Gear (36)	*AS7463M1	1	1.30
38	Screw Feed Clutch	PT7465M1	1	3.70
39	Reverse Gear (41)	*AS7466M1	1	2.45
40	Reverse Gear (41)	*AS7466M2	1	2.45
41	Oilite Bearing	PT7467M1	1	.40
42	Stud	PT7469M1	1	1.00
43	Idler Gear (45)	*AS7472M1	1	3.10
44	Idler Gear (45)	*AS7472M2	1	3.15
45	Oilite Bearing	PT7471M1	1	1.10
46	Bakelite Ball	PT406NT1	1	.70
47	Lever Stem	PT7476M1	1	.45
48	Shift Lever (46-47-49-50-51-52)	*AS7475M1	1	3.05
49	Set Screw	126x706	1	.20
50	Set Screw	120x4	2	.15
51	Spring	162x62	1	.30
52	Steel Ball	172x20	1	.05
53	Feed Shaft Pinion Shaft	PT7474M1	1	.65
54	Feed Shaft Pinion	PT7473M1	1	1.20
55	Set Screw	121x1008	1	.15
56	Pipe Plug	152x63	2	.40
57	Set Screw	120x4	1	.15
58	Milling Machine Table	Write for Information		
59	Milling Machine Table	Write for Information		
60	Pin	PT1833-1	2	.25
61	Cap Screw	114x216	2	.45
62	Table Nut (60-61-63)	*AS7022M1	1	15.20
63	Cap Screw	114x214	2	.30
64	Cap Screw	114x216	2	.45
65	Thumb Screw	PT1857	2	.35
66	Shoe	PT1078NK1	2	.05
67	Stop Screw	PT1224NHI	2	.45
68	Table Stop	PT7477M1	2	1.20
69	Table Stop Assembly (64-65-66-67-70)	*AS7477M1	2	3.80
70	Tee Slot Nut	PT7120M1	2	1.30

PRICES NET F.O.B. SOUTH BEND, IND. (SUBJECT TO CHANGE WITHOUT NOTICE)



\*Available only as sub-assembly. Parts included are indicated by the item numbers appearing in parenthesis after part name. Quantities are not indicated in sub-assemblies, but correct quantity of each part is included in price.

See List On Reverse Side

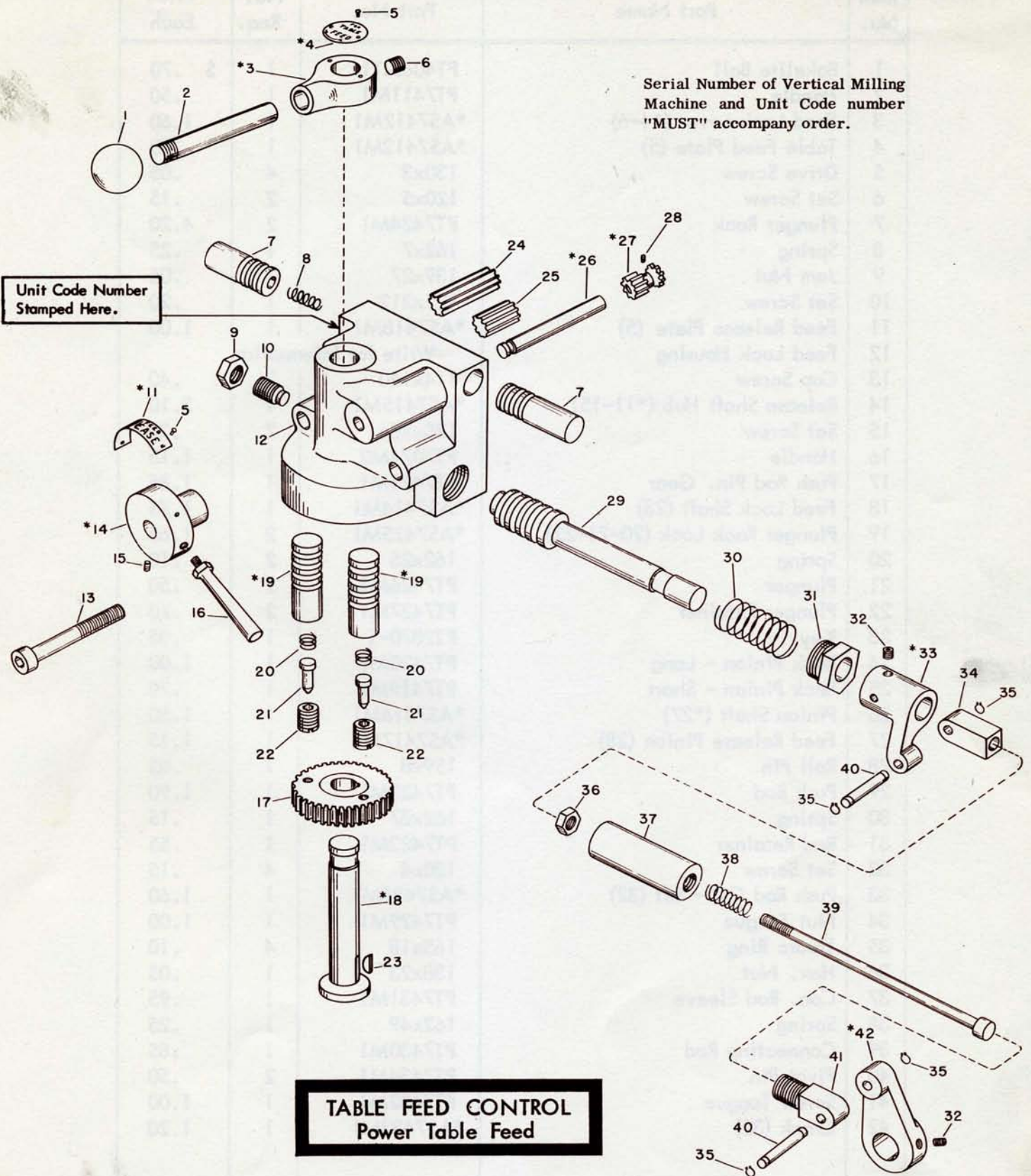


Item No.	Part Name	Part No.	No. Req.	Price Each
1	Gear Housing	Write for Information		
2	Cap Screw	114x216	5	\$ .45
3	Pin	153x1	2	.25
4	Shoe	PT1078NK1	1	.05
5	Set Screw	120x903	1	.20
6	Oilite Bearing	PT7440M1	1	.50
7	Precision Washer	PT7582W8-41		.50
8	Precision Washer	PT7582W8-46		.50
9	Precision Washer	PT7582W8-51		.50
10	Bevel Gear Pinion (11)	*AS7442M1	1	6.50
11	Roll Pin	159x9	1	.05
12	Bevel Gear Pinion Shaft	PT7441M1	1	2.70
13	Bearing	PT7443M1	1	3.40
14	Bearing	PT7444M1	1	2.25
15	Adjusting Nut	PT7445M1	1	1.15
16	Oilite Bearing	PT7437M1	2	.55
17	Screw D.S. Gear	PT7454M1	1	3.20
18	Key	PT7455M1	1	.30
19	Bronze Bearing	PT4764T1	2	.35
20	Idler Gear (21)	*AS7453M1	1	2.00
21	Pin	160x266	1	.25
22	Key	PT2070-1	1	.05
23	Roller - Price per set of 4	AS7451M1	1 set	1.40
24	Roller Feather Key (23)	*AS7450M1	1	2.70
25	Oilite Bearing	PT7439M1	2	.40
26	Bevel Gear	PT7447M1	1	11.80
27	Oilite Bearing	PT7448M1	1	.90
28	Driven Clutch Gear (27)	*AS7449M1	1	3.90
29	Clutch Drive Shaft (22-24)	*AS7446M1	1	5.55
30	R. G. Driver Clutch	PT7452M1	1	2.55
31	Pinion Shaft Collar (32)	*AS7458M1	1	.90
32	Set Screw	120x4	2	.15
33	Pin. Shaft Ext. Collar (32)	*AS7457M1	1	1.05
34	Clutch Pinion Shaft	PT7456M1	1	3.00
35	Housing Cover	Write for Information		
36	Lubricap	PT7187	1	.10
37	Alemite Fitting	190x1641	1	.20
38	Pipe Plug	PT1510-1	1	.10
39	Cap Screw	114x12	4	.30
40	Universal Joint, Clutch End (41)	*AS7479M1	1	14.70
41	Cap Screw	114x608	2	.20
42	Small Telescope Section	PT7484M1	1	.90
43	Telescope Section (44)	*AS7483M1	1	1.85
44	Key	PT7481M1	2	.30
45	Large Telescope Section (46)	*AS7482M1	1	2.65
46	Key	PT7480M1	2	.30
47	Cap Screw	114x605	2	.15
48	Universal Joint, Gear Box End (47)	*AS7485M1	1	14.60
49	Bushing	PT7486M1	1	.70
50	Universal Joint, Clutch End (51-52-53)	*AS7479M2	1	14.80
51	Cap Screw	114x608	1	.20
52	Cap Screw	114x708	1	.25
53	Bushing	PT7541M1	1	.05
54	Small Telescope Section (55)	*AS7484M2	1	.80
55	Truarc Ring	165x800	1	.10
56	Telescope Section (57)	*AS7483M2	1	1.50
57	Truarc Ring	165x801	1	.15
58	Large Telescope Section	PT7482M2	1	2.05
59	Cap Screw	114x605	2	.15
60	Bushing	PT7540M1	1	.25
61	Universal Joint, Gear Box End (59)	*AS7485M2	1	14.60
62	Bushing	PT7486M1	1	.70
63	Universal Drive Shaft Assembly (*50-*54-*56-58-60-*61-62)	*AXS7484M2	1	35.40

PRICES NET F.O.B. SOUTH BEND, IND. (SUBJECT TO CHANGE WITHOUT NOTICE)

Serial Number of Vertical Milling Machine and Unit Code number "MUST" accompany order.

Unit Code Number Stamped Here.



**TABLE FEED CONTROL  
Power Table Feed**

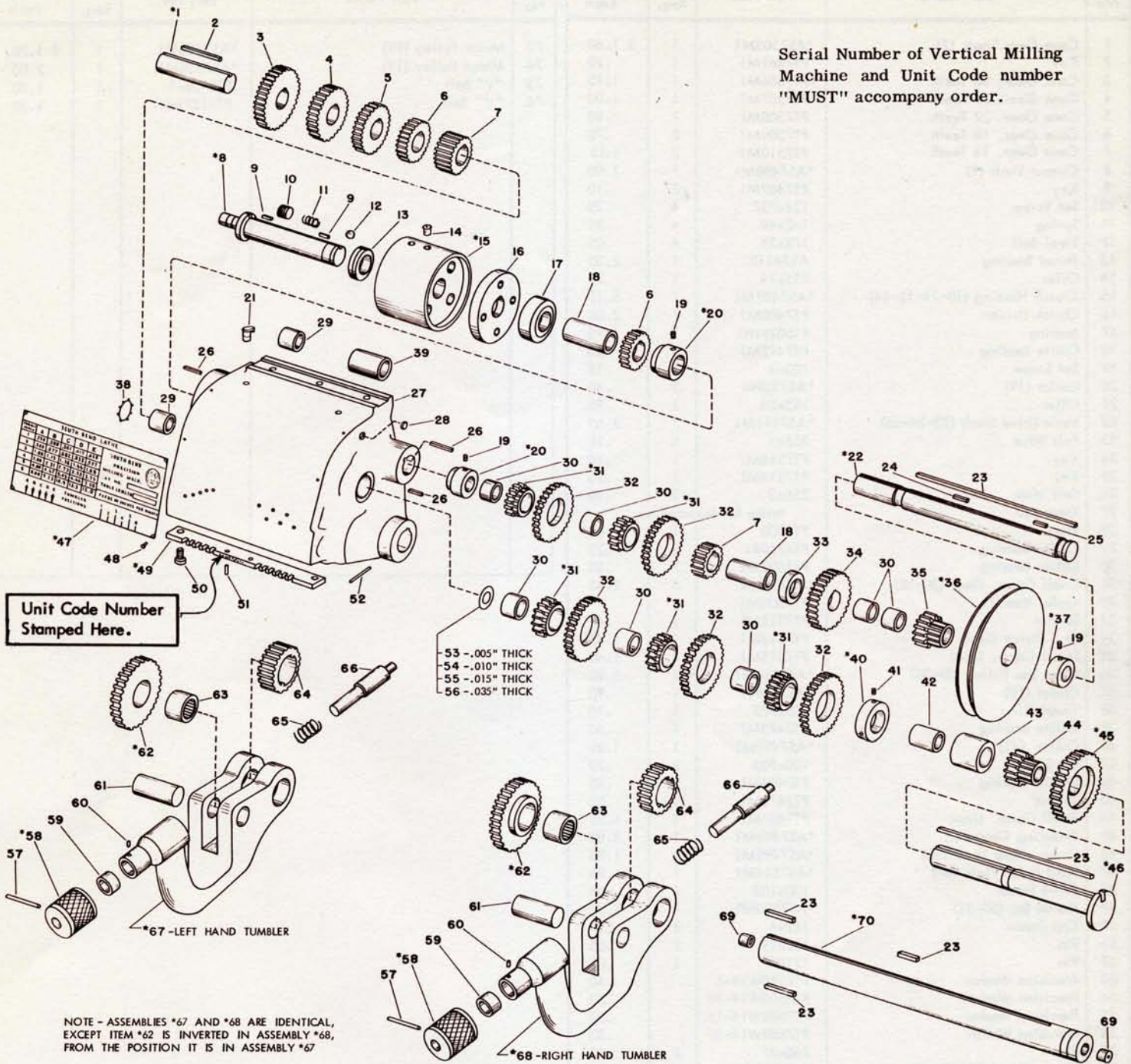
\*Available only as sub-assembly. Parts included are indicated by the item numbers appearing in parenthesis after part name. Quantities are not indicated in sub-assemblies, but correct quantity of each part is included in price.

See List On Reverse Side

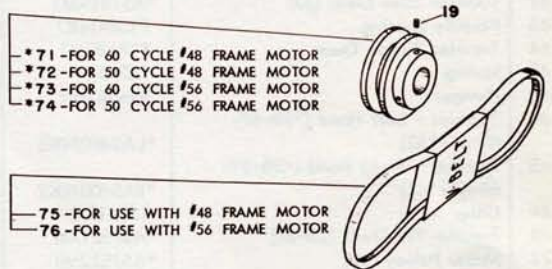
Item No.	Part Name	Part No.	No. Req.	Price Each
1	Bakelite Ball	PT406NT1	1	\$ .70
2	Handle	PT7411M1	1	.50
3	Feed Lock Lever (*4-6)	*AS7412M1	1	1.60
4	Table Feed Plate (5)	*AS7413M1	1	.70
5	Drive Screw	130x3	4	.05
6	Set Screw	120x5	2	.15
7	Plunger Rack	PT7424M1	2	4.20
8	Spring	162x7	1	.25
9	Jam Nut	139x27	1	.05
10	Set Screw	121x212	1	.20
11	Feed Release Plate (5)	*AS7418M1	1	1.00
12	Feed Lock Housing	Write for Information		
13	Cap Screw	114x140	2	.40
14	Release Shaft Hub (*11-15)	*AS7415M1	1	3.10
15	Set Screw	120x906	2	.20
16	Handle	PT7074M2	1	1.15
17	Push Rod Pin. Gear	PT7421M1	1	1.85
18	Feed Lock Shaft (23)	*AS7414M1	1	1.75
19	Plunger Rack Lock (20-21-22)	*AS7425M1	2	1.65
20	Spring	162x25	2	.10
21	Plunger	PT7426M1	2	.50
22	Plunger Retainer	PT7427M1	2	.70
23	Key	PT2070-1	1	.05
24	Rack Pinion - Long	PT7420M1	1	1.00
25	Rack Pinion - Short	PT7419M1	1	.70
26	Pinion Shaft (*27)	*AS7416M1	1	1.50
27	Feed Release Pinion (28)	*AS7417M1	1	1.15
28	Roll Pin	159x8	1	.05
29	Push Rod	PT7422M1	1	1.90
30	Spring	162x37	1	.15
31	Rod Retainer	PT7423M1	1	.55
32	Set Screw	120x4	4	.15
33	Push Rod Off - Set (32)	*AS7428M1	1	1.60
34	Nut Tongue	PT7429M1	1	1.00
35	Truarc Ring	165x18	4	.10
36	Hex. Nut	138x23	1	.05
37	Con. Rod Sleeve	PT7431M1	1	.95
38	Spring	162x49	1	.25
39	Connecting Rod	PT7430M1	1	.85
40	Pivot Pin	PT7434M1	2	.50
41	Screw Tongue	PT7432M1	1	1.00
42	Crank (32)	*AS7433M1	1	1.20

PRICES NET F.O.B. SOUTH BEND, IND. (SUBJECT TO CHANGE WITHOUT NOTICE)

Serial Number of Vertical Milling Machine and Unit Code number "MUST" accompany order.



**TABLE FEED GEAR BOX**  
**Power Table Feed**



\*Available only as sub-assembly. Parts included are indicated by the item numbers appearing in parenthesis after part name. Quantities are not indicated in sub-assemblies, but correct quantity of each part is included in price.

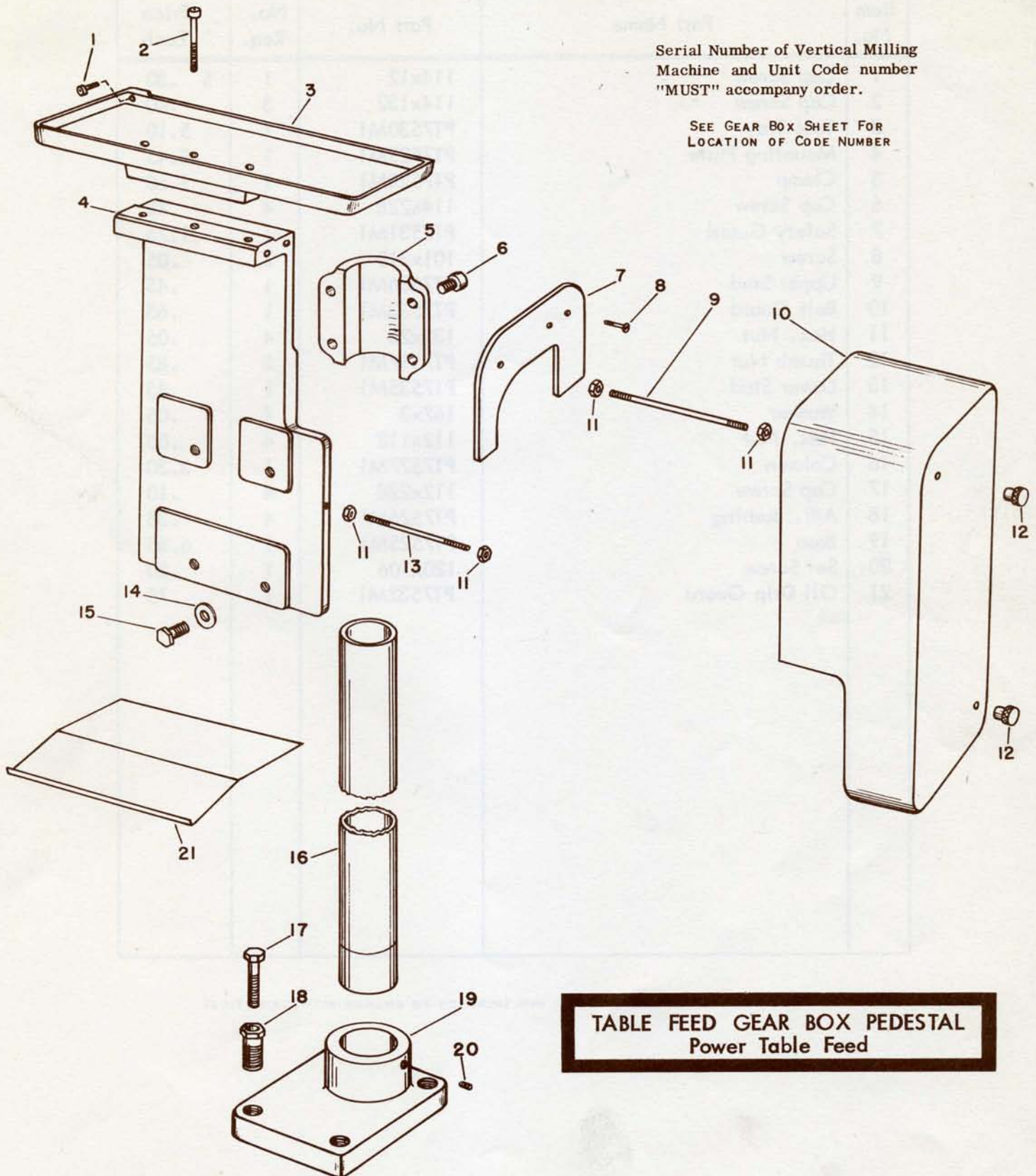
See List On Reverse Side

Item No.	Part Name	Part No.	No. Req.	Price Each	Item No.	Part Name	Part No.	No. Req.	Price Each
1	Cone Gear Shaft (2)	*AS7503M1	1	\$ 1.60	73	Motor Pulley (19)	*AS7536M1	1	\$ 1.70
2	Key	PT7462M1	1	.20	74	Motor Pulley (19)	*AS7538M1	1	2.05
3	Cone Gear, 30 Teeth	PT7506M1	1	1.15	75	"V" Belt	PT5126-1	1	1.20
4	Cone Gear, 26 Teeth	PT7507M1	1	1.00	76	"V" Belt	PT5127NH1	1	1.20
5	Cone Gear, 22 Teeth	PT7508M1	1	.80					
6	Cone Gear, 18 Teeth	PT7509M1	2	.70					
7	Cone Gear, 16 Teeth	PT7510M1	2	1.15					
8	Output Shaft (9)	*AS7488M1	1	1.90					
9	Key	PT7489M1	2	.10					
10	Set Screw	126x757	4	.20					
11	Spring	162x49	4	.25					
12	Steel Ball	172x24	4	.05					
13	Thrust Bearing	AS841T2	1	2.35					
14	Oiler	155x14	1	.25					
15	Clutch Housing (10-11-12-14)	*AS7487M1	1	5.10					
16	Clutch Driver	PT7490M1	1	2.00					
17	Bearing	PT502NH1	1	1.95					
18	Oilite Bearing	PT7492M1	2	.50					
19	Set Screw	120x4	5	.15					
20	Collar (19)	*AS7539M	2	.40					
21	Oiler	155x20	2	.25					
22	Main Drive Shaft (23-24-25)	*AS7511M1	1	2.85					
23	Felt Wick	256x1	5	.10					
24	Key	PT7518M1	1	.10					
25	Key	PT7514M1	1	.10					
26	Felt Wick	256x3	3	.10					
27	Gear Box	Write for Information							
28	Plug	PT1500	1	.05					
29	Oilite Bearing	PT6760R1	2	.25					
30	Oilite Bearing	PT7502M1	7	.35					
31	Small Comp. Gear (30-32)	*AS7501M	5	2.45					
32	Order Item 31	PT7500M1	5						
33	Spacer	PT7512M1	1	.65					
34	M.S. Drive Gear	PT7513M1	1	1.45					
35	Small Comp. Gear	PT7515M1	1	1.40					
36	Gear Box Pulley (30-35)	*AS7516M1	1	5.80					
37	Collar (19)	*AS3454T1	1	.90					
38	Truarc Ring	165x775	1	.10					
39	Oilite Bearing	PT7493M1	1	.60					
40	Collar (41)	*AS7499M1	1	1.20					
41	Set Screw	120x903	2	.20					
42	Oilite Bearing	PT7494M1	1	.55					
43	Spacer	PT7498M1	1	.55					
44	Small Comp. Gear	PT7497M1	1	1.25					
45	Reducing Gear (44)	*AS7496M1	1	2.80					
46	Comp. Gear Shaft (23)	*AS7495M1	1	1.95					
47	Feed Index Plate (48)	*AS7524M1	1	.95					
48	Drive Screw	130x103	4	.05					
49	Guide Bar (50-51)	*AS7523M1	1	1.20					
50	Cap Screw	111x6	2	.10					
51	Pin	160x19	2	.05					
52	Pin	PT1807	1	.05					
53	Precision Washer	PT7588W14-5		.50					
54	Precision Washer	PT7588W14-10		.50					
55	Precision Washer	PT7588W14-15		.50					
56	Precision Washer	PT7588W14-35		.50					
57	Pin	160x27	2	.05					
58	Plunger Knob (57-65-66)	*MAS88R2	2	4.95					
59	Bushing	PT610NR1	2	.85					
60	Pin	160x42	2	.05					
61	Pin	160x252	2	.70					
62	Tumbler Idler Gear (63)	*AS7519M1	2	2.20					
63	Needle Bearing	PT384NK1	2	1.15					
64	Tumbler Pinion Gear	PT7520M1	2	1.25					
65	Spring	162x50	2	.05					
66	Plunger	PT608NR1	2	1.15					
67	Tumbler - Left Hand (*58-59-60-61-*62)	*LAS400NK2	1	11.95					
68	Tumbler - Right Hand (*58-59-60-61-*62)	*RAS400NK2	1	11.95					
69	Oiler	155x17	2	.15					
70	Tumbler Pin Shaft (23-69)	*AS7521M1	1	2.20					
71	Motor Pulley (19)	*AS7522M1	1	1.60					
72	Motor Pulley (19)	*AS7537M1	1	1.90					

PRICES NET F.O.B. SOUTH BEND, IND. (SUBJECT TO CHANGE WITHOUT NOTICE)

Serial Number of Vertical Milling  
Machine and Unit Code number  
"MUST" accompany order.

SEE GEAR BOX SHEET FOR  
LOCATION OF CODE NUMBER



**TABLE FEED GEAR BOX PEDESTAL**  
**Power Table Feed**

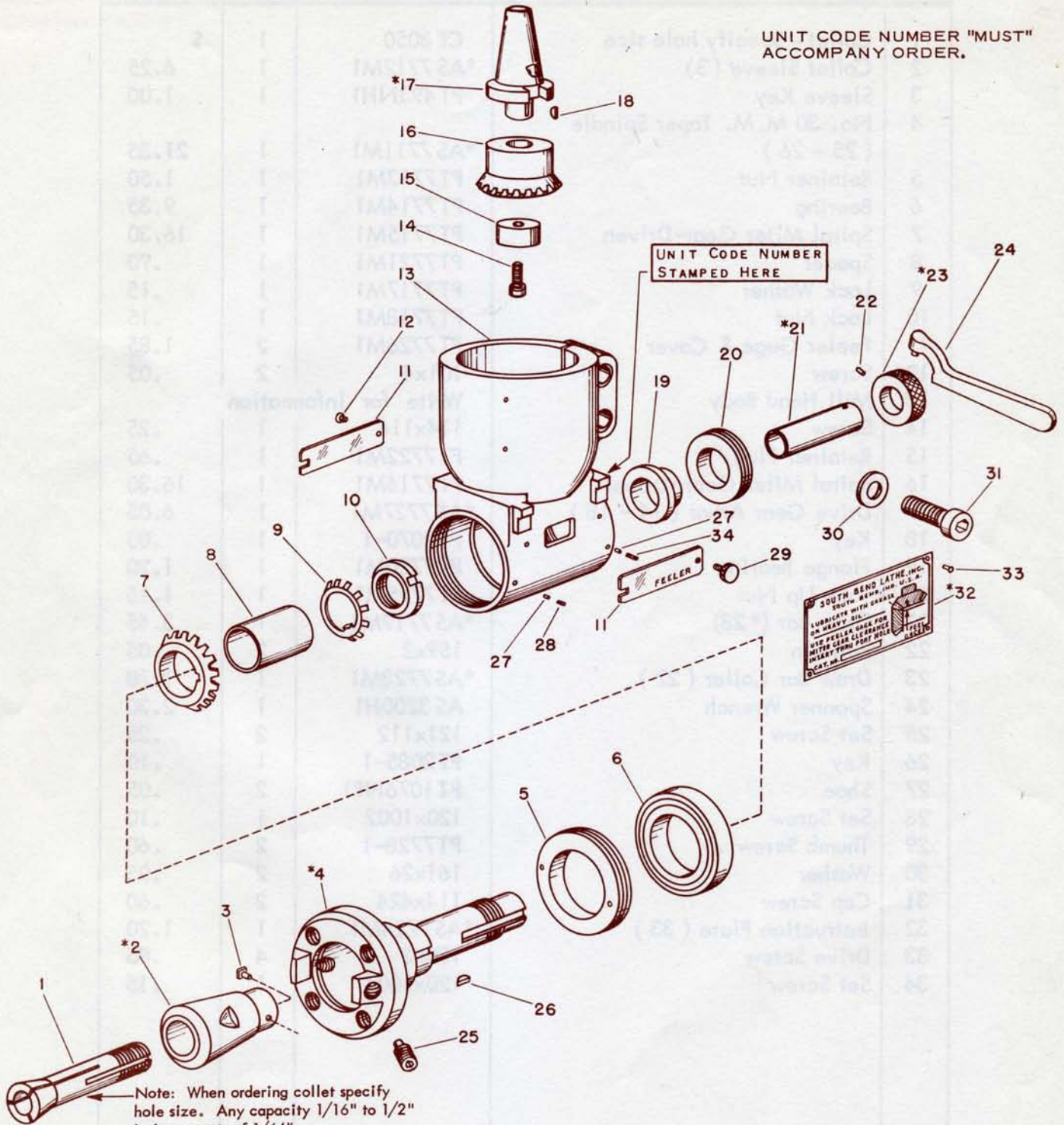
\*Available only as sub-assembly. Parts included are indicated by the item numbers appearing in parenthesis after part name. Quantities are not indicated in sub-assemblies, but correct quantity of each part is included in price.

See List On Reverse Side

Item No.	Part Name	Part No.	No. Req.	Price Each
1	Cap Screw	114x12	1	\$ .30
2	Cap Screw	114x132	3	.40
3	Tool Tray	PT7530M1	1	5.10
4	Mounting Plate	PT7529M1	1	8.45
5	Clamp	PT7528M1	1	1.60
6	Cap Screw	114x228	4	.45
7	Safety Guard	PT7531M1	1	1.75
8	Screw	101x310	2	.05
9	Upper Stud	PT7534M1	1	.45
10	Belt Guard	PT7533M1	1	.65
11	Hex. Nut	138x23	4	.05
12	Thumb Nut	PT7517M1	2	.85
13	Lower Stud	PT7535M1	1	.45
14	Washer	167x3	4	.05
15	Hex. Nut	112x112	4	.05
16	Column	PT7527M1	1	3.30
17	Cap Screw	112x228	4	.10
18	Adj. Bushing	PT7526M1	4	.35
19	Base	PT7525M1	1	6.85
20	Set Screw	120x106	1	.20
21	Oil Drip Guard	PT7532M1	1	.75

PRICES NET F.O.B. SOUTH BEND, IND. (SUBJECT TO CHANGE WITHOUT NOTICE)

UNIT CODE NUMBER "MUST" ACCOMPANY ORDER.



Note: When ordering collet specify hole size. Any capacity 1/16" to 1/2" in increments of 1/64". Write for information regarding collets for holding square and hexagonal stock.

**90° MILLING HEAD**

\*Available only as sub-assembly. Parts included are indicated by the item numbers appearing in parenthesis after part name. Quantities are not indicated in sub-assemblies, but correct quantity of each part is included in price.

See List On Reverse Side



ITEM NO.	PART NAME	PART NO.	NO. REQ.	PRICE EACH
1	Collet - Specify hole size	CE 3050	1	\$
2	Collet Sleeve (3)	*AS7712M1	1	6.25
3	Sleeve Key	PT493NH1	1	1.00
4	No. 30 M.M. Taper Spindle ( 25 - 26 )	*AS7711M1	1	21.35
5	Retainer Nut	PT7713M1	1	1.50
6	Bearing	PT7714M1	1	9.35
7	Spiral Miter Gear-Driven	PT7715M1	1	16.30
8	Spacer	PT7721M1	1	.90
9	Lock Washer	PT7717M1	1	.15
10	Lock Nut	PT7718M1	1	.15
11	Feeler Gage & Cover	PT7726M1	2	1.85
12	Screw	101x4	2	.05
13	Mill Head Body	Write for information		
14	Screw	114x114	1	.25
15	Retainer Plug	PT7722M1	1	.65
16	Spiral Miter Gear-Driver	PT7716M1	1	16.30
17	Drive Gear Arbor ( 14 - 18 )	*AS7727M1	1	6.05
18	Key	PT2070-1	1	.05
19	Flange Bearing	PT7720M1	1	1.20
20	Take Up Nut	PT7725M1	1	1.15
21	Draw Bar (* 23)	*AS7719M1	1	3.45
22	Roll Pin	159x2	2	.05
23	Draw Bar Collar ( 22 )	*AS7723M1	1	1.70
24	Spanner Wrench	AS 3200H1	1	2.30
25	Set Screw	121x112	2	.25
26	Key	PT2085-1	1	.10
27	Shoe	PT 1076NR1	2	.05
28	Set Screw	120x1002	1	.10
29	Thumb Screw	PT7728-1	2	.60
30	Washer	161x26	2	.05
31	Cap Screw	114x424	2	.60
32	Instruction Plate ( 33 )	*AS7724M1	1	1.20
33	Drive Screw	130x3	4	.05
34	Set Screw	120x1004	1	.15

PRICES NET F.O.B. SOUTH BEND, IND. (SUBJECT TO CHANGE WITHOUT NOTICE)