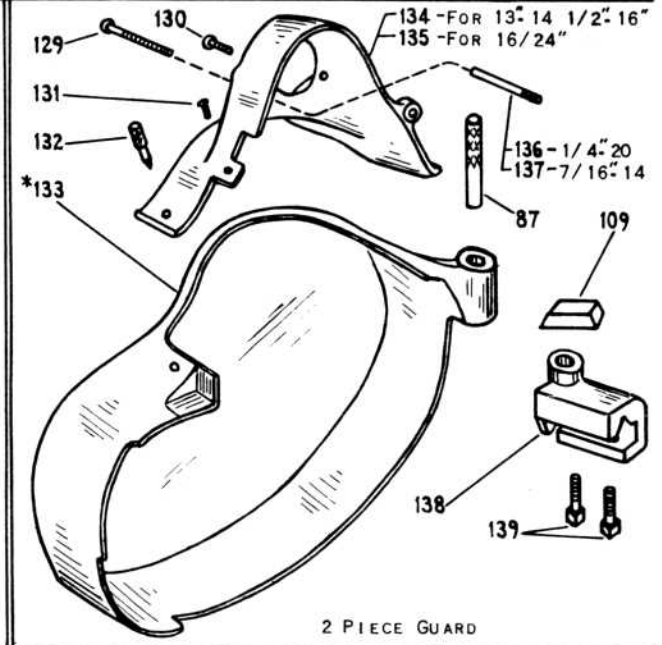
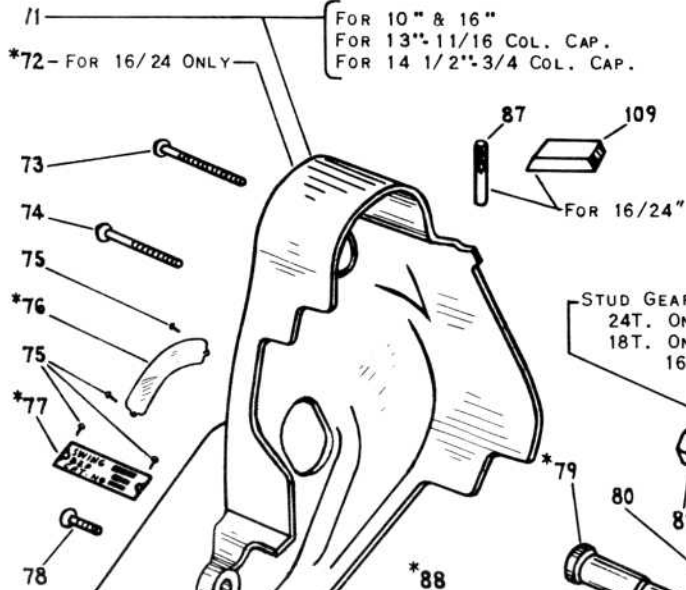


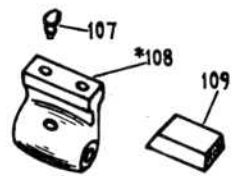
SERIAL NUMBER OF LATHE AND UNIT
CODE NUMBER "MUST" ACCOMPANY ORDER



FOR LEAD SCREW
SUPPORT BRACKET
FOR 10' & 12' LATHES
SEE PAGE 25

- *112 FOR 3' BED
 - *113 FOR 3 1/2' BED
 - *114 FOR 4' BED
 - *115 FOR 4 1/2' BED
 - *116 FOR 5' BED
 - *117 FOR 6' BED
 - *118 FOR 7' BED
 - *119 FOR 8' BED
 - *120 FOR 10' BED
 - *121 FOR 12' BED
- REGULAR
LEAD SCREW

- *122 FOR 3' BED
 - *123 FOR 3 1/2' BED
 - *124 FOR 4' BED
 - *125 FOR 5' BED
 - *126 FOR 6' BED
 - *127 FOR 7' BED
 - *128 FOR 8' BED
- PRECISION
LEAD SCREW



GEAR BOX (SINGLE TUMBLER)	
10"	11/16" & 1" COL.
13"	1" COL.
14 1/2"	1" COL.
16" & 16/24"	1" COL.

*AVAILABLE ONLY AS SUB-ASSEMBLY. PARTS INCLUDED ARE INDICATED BY THE ITEM NUMBERS APPEARING IN PARENTHESIS AFTER PART NAME.

See List On Reverse Side

ITEM NO.	PART NAME	10" (11/16" & 1" COL.)		13" (1" COL.)		14 1/2" (1" COL.)		16" & 16/24" (1" COL.)		
		PART NO.		PART NO.		PART NO.		PART NO.		
71	PRIMARY GUARD	PT650R1		PT650T1		PT650F1		PT650H1		
72	PRIMARY GUARD (87-109)							*AS2004H1		
73	SCREW	PT1159R1		101X648		PT1160HV1		PT1153R1		
74	SCREW	PT1158R1		101X648		PT1160HV1		PT1153R1		
75	DRIVE SCREW	130X103		130X103		130X103		130X103		
76	"SLIDE" PLATE (75)	*AS662RH1		*AS662RH1		*AS662RH1		*AS662RH1		
77	"SIZE" PLATE (75)	*AS664RH1		*AS664RH1		*AS664RH1		*AS664RH1		
78	SCREW	PT1156R1		PT1153R1		PT1157TF1		PT1153R1		
79	GEAR STUD (92)	*AS653R1		*AS653T1		*AS653FH1		*AS653FH1		
80	PR. PINION	PT651R1		PT651T1		PT651FH1		PT651FH1		
81	NUT	137X31		137X31		137X39		137X39		
82	STUD GEAR	PT612K24R1		PT612K18T1		PT612K18FH1		PT612K18FH1		
83	PR. CH. GEAR	PT652R2		PT652T2		PT652FH2		PT652FH2		
84	PR. CH. GEAR (80-90)	*AS652R2		*AS652T2		*AS652FH2		*AS652FH2		
85	CAP SCREW	112X220		112X324		112X428		112X428		
86	WASHER	161X17		161X74		161X65		161X65		
87	HINGE PIN			PT281T1		PT281FH1		PT281FH1		
88	SL. GR. SHAFT (92)	*AS656R2		*AS656T2		*AS656FH2		*AS656FH2		
89	FELT WICK	256X3		256X3		256X3		256X3		
90	PIN	160X44		160X46		160X48		160X48		
91	PIN	160X16		160X16		160X16		160X16		
92	NUT	139X31		139X35		PT215H1		PT215H1		
93	BRACKET	PT647R1		PT647T1		PT647FH1		PT647FH1		
94	BRACKET							PT147H1		
95	SCREW	118X116		118X224		118X424		118X424		
96	THUMB SCREW							131X33		
97	PR. DRIVE GEAR	PT657R1		PT657T1		PT657FH1		PT657FH1		
98	SLIDING GEAR	PT654R1		PT654T1		PT654FH1		PT654FH1		
99	SLIDING GEAR (91-100-101-102-103-104)									
100	KNOB PINION (91-101-102-103-104)	*AS654R1		*AS654T1		*AS654FH1		*AS654FH1		
101	STEEL BALL							*AS655FH1		
102	SPRING	172X16		172X20		172X20		172X20		
103	SCREW	PT649R2		PT649T1		PT649FH1		PT649FH1		
104	KEY	101X303		101X303		101X303		101X303		
105	PR. BRACKET	164X1		164X2		164X4		164X4		
106	SCREW	PT630R1		PT630T1		PT630FH1		PT630FH1		
107	OILER	118X212		118X212		112X440		112X440		
108	L.S. BRACKET (109)	155X38		155X38		155X38		155X38		
109	BABBITT	*AS5R1		*AS5T1		*AS5F1		*AS5H1		
110	COLLAR	506X6		506X6		506X6		506X6		
111	KEY	PT39NR2		PT39T2		PT39FH2		PT39FH2		
		164X1		164X2		164X3		164X3		
	THE FOLLOWING LEAD SCREWS INCLUDE ITEMS, No. 12 (PAGE 15) 110 & 111									
112	LEAD SCREW	*AS629W3R2								
113	LEAD SCREW	*AS629W35R2								
114	LEAD SCREW	*AS629W4R2		*AS629W4T1						
115	LEAD SCREW	*AS629W45R4								
116	LEAD SCREW			*AS629W5T1		*AS629W5F1				
117	LEAD SCREW			*AS629W6T1		*AS629W6FH1		*AS629W6FH1		
118	LEAD SCREW			*AS629W7T1		*AS629W7FH1		*AS629W7FH1		
119	LEAD SCREW					*AS629W8FH1		*AS629W8FH1		
120	LEAD SCREW							*AS629W10FH1		
121	LEAD SCREW							*AS629W12FH1		
122	LEAD SCREW	*AP629W3R2								
123	LEAD SCREW	*AP629W35R2								
124	LEAD SCREW	*AP629W4R2		*AP629W4T1						
125	LEAD SCREW			*AP629W5T1		*AP629W5F1				
126	LEAD SCREW			*AP629W6T1		*AP629W6FH1		*AP629W6FH1		
127	LEAD SCREW					*AP629W7FH1		*AP629W7FH1		
128	LEAD SCREW					*AP629W8FH1		*AP629W8FH1		
129	SCREW									
130	SCREW			PT1160T1		PT1153R1		PT1160HV1		
131	SCREW			PT1157TF1		PT1157TF1		101X624		
132	LOCK SCREW							101X612		
133	LOWER GUARD (87-109)			PT672RH1		PT672RH1		PT672RH1		
134	UPPER GUARD			*AS673T1		*AS673F1		*AS673H1		
135	UPPER GUARD			PT670T1		PT670F1		PT670H1		
136	GUARD STUD 1/2" 20 THD.							PT2005H1		
137	GUARD STUD 7/16" 14 THD.					PT674F1				
138	GUARD BRACKET			PT147T1		PT674F2		PT647H2		
139	SCREW			118X224		118X428		118X424		