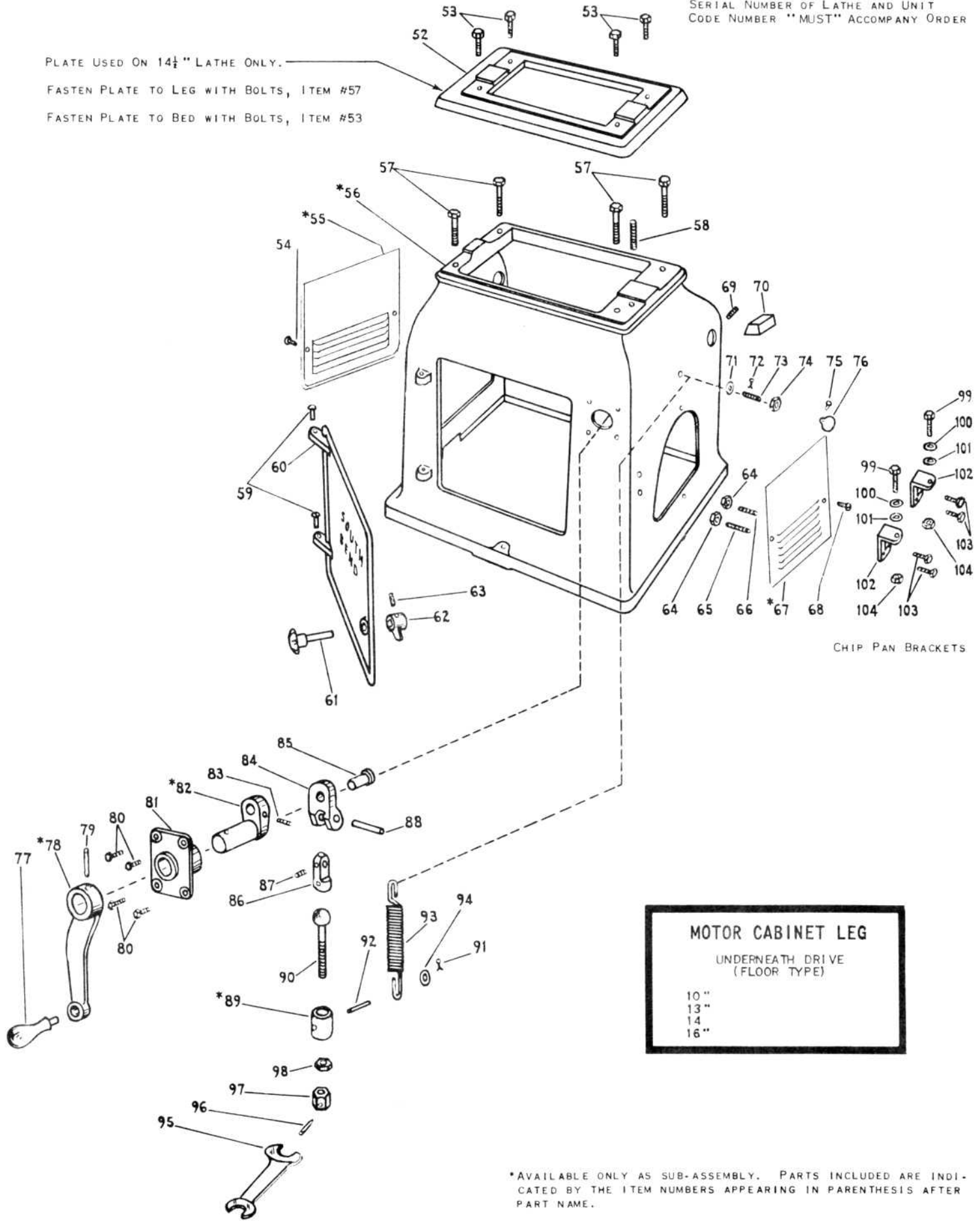


SERIAL NUMBER OF LATHE AND UNIT CODE NUMBER "MUST" ACCOMPANY ORDER

PLATE USED ON 14 1/2" LATHE ONLY.
 FASTEN PLATE TO LEG WITH BOLTS, ITEM #57
 FASTEN PLATE TO BED WITH BOLTS, ITEM #53



CHIP PAN BRACKETS

MOTOR CABINET LEG	
UNDERNEATH DRIVE (FLOOR TYPE)	
10"	
13"	
14"	
16"	

*AVAILABLE ONLY AS SUB-ASSEMBLY. PARTS INCLUDED ARE INDICATED BY THE ITEM NUMBERS APPEARING IN PARENTHESIS AFTER PART NAME.

ITEM NO.	PART NAME	10"		13"		14 1/2"		16" & 16/24"	
		PART NO.		PART NO.		PART NO.		PART NO.	
52	RAISING PLATE		PT2535F1		
53	SCREW		112X540		
54	SCREW	101X712		101X710		101X710		101X710	
55	LEFT VENTILATOR (54)	*AS2527R1		*AS2527T2		*AS2527FH2		*AS2527FH2	
56	CABINET LEG (55-59-60-61-62-63-64-65-66-67-69-70)	*AS2525R4		*AS2525T1		*AS2525F3		*AS2525H2	
57	SCREW	112X224		112X432		112X528		112X544	
58	SPRING STUD		PT2636FH2		PT2636FH2	
59	RIVET	133X624		133X624		133X624		133X624	
60	FRONT DOOR	PT2526R1		PT2526T1		PT2526FH1		PT2526FH1	
61	DOOR KNOB	PT2528RH1		PT2528RH1		PT2528RH1		PT2528RH1	
62	DOOR LATCH	PT2529RH1		PT2529RH1		PT2529RH1		PT2529RH1	
63	SCREW	120X5		120X5		120X5		120X5	
64	JAM NUT	139X25		139X25		139X27		139X27	
65	SCREW	122X620		122X628		122X736		122X736	
66	SCREW	122X616		122X620		122X732		122X732	
67	RIGHT VENTILATOR (68-75-76)	*AS2530R1		*AS2530T2		*AS2530FH2		*AS2530FH2	
68	SCREW	101X712		101X712		101X712		101X712	
69	SCREW	120X112		120X212		148X216		148X216	
70	BABBITT	506X6		506X6		506X6		506X6	
71	WASHER	161X18		161X18		
72	COTTER PIN	170X206		170X206		
73	SPRING PIN	PT2571RT1		PT2571RT1		
74	JAM NUT	139X27		139X27		
75	SCREW	101X306		101X306		
76	OIL HOLE COVER	PT2531RT1		PT2531RT1		
77	MACH. HANDLE	PT1485		PT1485		PT1485		PT1485	
78	CRANK (77-79)	*AS2560RH1		*AS2560RH1		*AS2560RH1		*AS2560RH1	
79	TAPER PIN	168X516		168X516		168X516		168X516	
80	SCREW	112X112		112X112		112X112		112X112	
81	CRANK BUSHING	PT2563RT1		PT2563RT1		PT2563FH1		PT2563FH1	
82	CRANKSHAFT (78-83)	*AS2562R1		*AS2562TH1		*AS2562TH1		*AS2562TH1	
83	SCREW	120X8		120X8		120X8		120X8	
84	CLEVIS	PT2566RT1		PT2566RT1		PT2566FH1		PT2566FH1	
85	CRANK PIN	PT2565RH1		PT2565RH1		PT2565RH1		PT2565RH1	
86	ORDER ITEM 89	PT2567RT2		PT2567RT2		PT2567FH2		PT2567FH2	
87	SCREW	120X105		120X105		120X105		120X105	
88	PIN	160X151		160X151		160X210		160X210	
89	CONNECTING SLEEVE (86-87-90-92)	*AS2568RT2		*AS2568RT2		*AS2568FH2		*AS2568FH2	
90	ADJUSTING SCREW	PT2569RT1		PT2569RT1		PT2569FH1		PT2569FH1	
91	COTTER PIN	170X206		170X206		170X206		170X206	
92	SPRING PIN	PT2639RH1		PT2639RH1		PT2639RH1		PT2639RH1	
93	TENSION SPRING	PT2638NT1		PT2638NT1		PT2638FH1		PT2638FH1	
94	WASHER	161X18		161X18		161X18		161X18	
95	WRENCH	CE2670		CE2670		CE2671		CE2671	
96	TAPER PIN	168X307		168X307		168X308		168X308	
97	ADJUSTING NUT	PT2570RT1		PT2570RT1		PT2570FH1		PT2570FH1	
98	JAM NUT	137X531		137X531		137X535		137X535	
99	SCREW	112X116		112X216		112X216		112X216	
100	WASHER	161X63		161X64		161X64		161X64	
101	WASHER	PT1665R1		PT1666TH1		PT1666TH1		PT1666TH1	
102	PAN BRACKET	PT467R2		PT467TH1		PT467TH1		PT467TH1	
103	SCREW	112X120		112X216		112X216		112X216	
104	NUT	138X25		138X27		138X27		138X27	