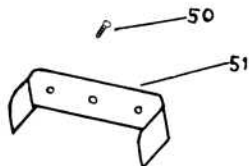
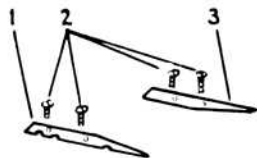


**BED and LEGS**  
10" 13" 14½" 16" 16/24"

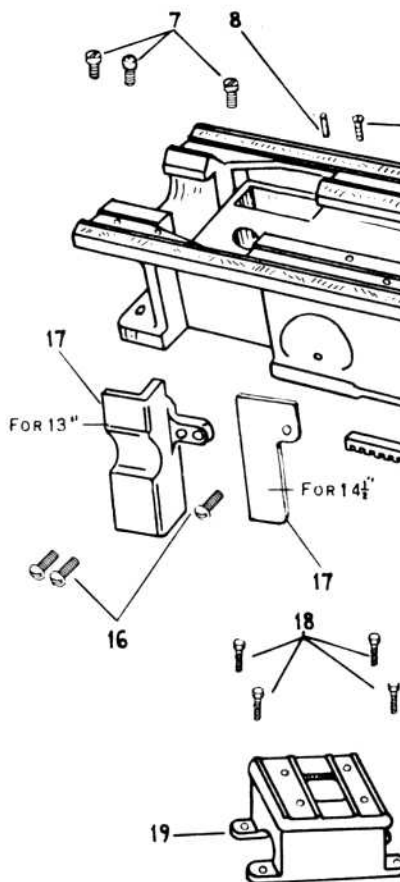
6- (SPECIFY TYPE HANDLE)



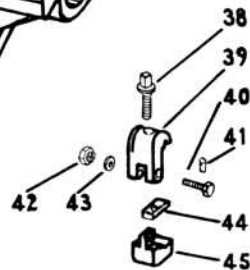
TYPE A BUTTERFLY



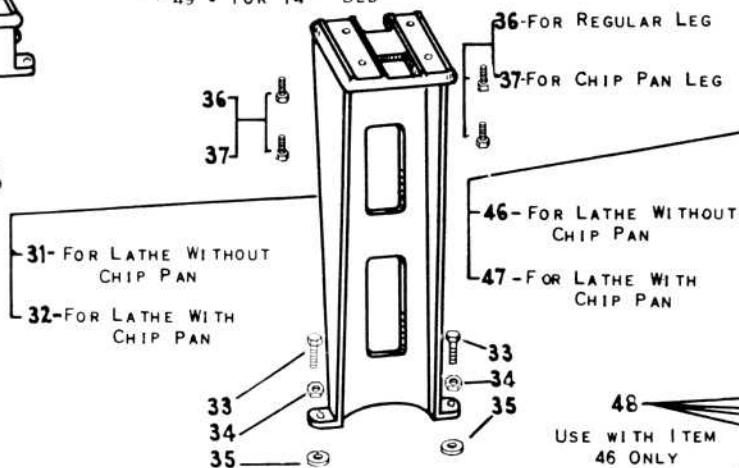
SERIAL NUMBER OF LATHE AND UNIT  
CODE NUMBER MUST ACCOMPANY ORDER



- \* 21 - FOR 3' BED
- \* 22 - FOR 3½' BED
- \* 23 - FOR 4' BED
- \* 24 - FOR 4½' BED
- \* 25 - FOR 5' BED
- \* 26 - FOR 6' BED
- \* 27 - FOR 7' BED
- \* 28 - FOR 8' BED
- \* 29 - FOR 10' BED
- \* 30 - FOR 12' BED
- \* 49 - FOR 14' BED



LEAD SCREW SUPPORT BRACKET



\*AVAILABLE ONLY AS SUB-ASSEMBLY. PARTS INCLUDED ARE INDICATED BY THE ITEM NUMBERS APPEARING IN PARENTHESIS AFTER PART NAME.

ITEM NO.	PART NAME	10"		13"		14 1/2"		16" & 16/24"	
		PART NO.		PART NO.		PART NO.		PART NO.	
1	FRONT COVER	PT2509R1		PT2509T1		PT2509F2		PT2509H2	
2	SCREW	103X104		103X106		103X106		103X106	
3	REAR COVER	.....		.....		.....		PT2510H1	
6	DRUM CONTROL	CE790		CE790		CE790		CE790	
7	SCREW	PT388NR1		PT388T1		PT388FH1		PT388FH1	
8	PIN	160X105		160X137		160X168		160X168	
14	RACK SCREW	PT444NR1		PT444TF1		PT444TF1		PT444H1	
15	BED	WRITE FOR INFORMATION		WRITE FOR INFORMATION		WRITE FOR INFORMATION		WRITE FOR INFORMATION	
16	SCREW	101X312		101X616		101X608		.....	
17	BED COVER			PT2502T4		PT2502F4		.....	
18	SCREW	112X220		112X428		112X524		112X524	
19	OIL PAN SHORT LEG	PT8R1		PT8T1		PT8F1		PT8H1	
20	SCREW	112X224		112X432		112X532		112X540	
21	RACK (14)	*AS275W3R1		.....		.....		.....	
22	RACK (14)	*AS275W35R1		.....		.....		.....	
23	RACK (14)	*AS275W4R1		*AS275W4T1		.....		.....	
24	RACK (14)	*AS275W45R1		.....		.....		.....	
25	RACK (14)	.....		*AS275W5T1		*AS275W5F2		.....	
26	RACK (14)	.....		*AS275W6T1		*AS275W6FH3		*AS275W6FH3	
27	RACK (14)	.....		*AS275W7T1		*AS275W7FH3		*AS275W7FH3	
28	RACK (14)	.....		.....		*AS275W8FH3		*AS275W8FH3	
29	RACK (14)	.....		.....		.....		*AS275W10H3	
30	RACK (14)	.....		.....		.....		*AS275W12H3	
31	CENTER LEG (33-34-35-36)	.....		.....		.....		*AS7H1	
32	CENTER LEG (33-34-35-37)	.....		.....		.....		*AS9H1	
33	SET SCREW	.....		.....		.....		119X532	
34	JAM NUT	.....		.....		.....		139X35	
35	WASHER	.....		.....		.....		PT565TH1	
36	SCREW	.....		.....		.....		112X540	
37	SCREW	.....		.....		.....		112X524	
38	CLAMP SCREW	.....		.....		.....		PT299FH1	
39	SUPPORT BRACKET	.....		.....		.....		PT44FH1	
40	SCREW	.....		.....		.....		112X572	
41	PIN	.....		.....		.....		160X18	
42	NUT	.....		.....		.....		136X35	
43	WASHER	.....		.....		.....		161X67	
44	CLAMP	.....		.....		.....		PT45H1	
45	L. S. SUPPORT	.....		.....		.....		PT43FH1	
46	REGULAR LEG	PT3R1		PT3T1		PT3F1		PT3H1	
47	O. P. LONG LEG	PT470R1		PT470T1		PT470F1		PT470H1	
48	SCREW	112X224		112X432		112X536		112X540	
49	RACK (14)	.....		.....		.....		*AS275W14H1	
50	SCREW	101X308		.....		.....		.....	
51	COVER	PT2504R1		.....		.....		.....	