

HANDWHEEL COLLET ATTACHMENT

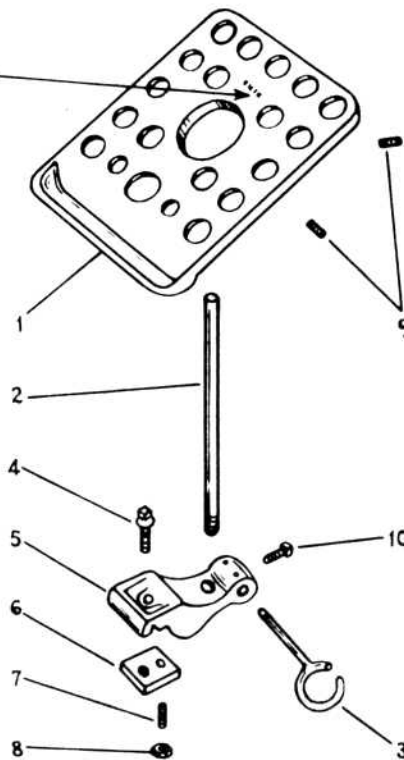
10" 11/16" 1" & 1-1/16" COL.
 13" 11/16" 1" & 1-1/16" COL.
 14-1/2" 3/4" 1" & 1-1/16" COL.
 16" & 16-24" 1" & 1-1/16" COL.

FOR 10" - 13" - 14-1/2" - 16" & 16/24", 1" & 1-1/16" COLLET CAPACITY LATHES - FOR USE WITH #5 COLLET.									
ITEM NO.	PART NAME	10" (1" & 1-1/16" COL.)		13" (1" & 1-1/16" COL.)		14-1/2" (1" & 1-1/16" COL.)		16" & 16/24" (1" & 1-1/16" COL.)	
		PART NO.		PART NO.		PART NO.		PART NO.	
1	PHILLIPS SCREWS	104X8		104X8		104X8		104X224	
2	HANDWHEEL	PT798RH1		PT798RH1		PT798RH1		PT798RH1	
3	HANDWHEEL SLEEVE	PT797LH1		PT797LH1		PT797LH1		PT797LH1	
4	PIN	160X49		160X49		160X49		160X49	
5	THRUST BEARING	PT207NK1		PT207NK1		PT207NK1		PT207NK1	
6	DRAW BAR SLEEVE	PT794LH1		PT794LH1		PT794LH1		PT794LH1	
7	DRAW BAR	PT793L2		PT793T3		PT793F3		PT793H2	
8	KNOCK OUT NUT	PT995LT1		PT995LT1		PT995FH1		PT995FH1	
9	COLLET SLEEVE (12)	*AS795LH1		*AS795LH1		*AS795LH1		*AS795LH1	
10	SPACER	
11	SPANNER WRENCH	CE2736		CE2736		CE2738		CE2738	
12	COLLET SLEEVE KEY	PT493NH1		PT493NH1		PT493NH1		PT493NH1	
13	DRAW BAR	PT3610L2		PT3610T2		PT3610F2		PT793H2	
14	DRAW BAR	PT3707L2		PT3707T2		PT3707F2		PT3707H2	
15	DRAW BAR ASSEMBLY (1-2-3-4-5-6-7-10)	*AS793L2		*AS793T3		*AS793F3		*AS793H2	
16	DRAW BAR ASSEMBLY (1-2-3-4-5-6-10-13)	*AS3610L2		*AS3610T2		*AS3610F2		*AS3610H2	
17	DRAW BAR ASSEMBLY (1-2-3-4-5-6-10-14)	*AS3707L2		*AS3707T2		*AS3707F2		*AS3707H2	
18	COLLET SLEEVE (12)	*AS3632LH1		*AS3632LH1		*AS3632LH1		*AS3632LH1	
19	KNOCK OUT NUT	PT3719LH1		PT3719LH1		PT3719LH1		PT3719LH1	

FOR 10" & 13", 11/16" COLLET CAPACITY LATHES - FOR USE WITH #2 COLLET. FOR 14-1/2", 3/4" COLLET CAPACITY LATHES - FOR USE WITH #4 COLLET.							
ITEM NO.	PART NAME	10" (11/16" COL.)		13" (11/16" COL.)		14-1/2" (3/4" COL.)	
		PART NO.		PART NO.		PART NO.	
1	PHILLIPS SCREWS	104X8		104X8		104X8	
2	HANDWHEEL	PT798RH1		PT798RH1		PT798RH1	
3	HANDWHEEL SLEEVE	PT797R & T1		PT797R & T1		PT797F1	
4	PIN	160X53		160X53		160X51	
5	THRUST BEARING	PT207NK1		PT207NK1		PT207NK1	
6	DRAW BAR SLEEVE	PT794R & T1		PT794R & T1		PT794F1	
7	DRAW BAR	PT793R1		PT793T1		PT793F1	
8	KNOCK OUT NUT	PT995R1		PT995T1		PT995F1	
9	COLLET SLEEVE (12)	*AS795R & T1		*AS795R & T1		*AS795F1	
11	SPANNER WRENCH	CE2735		CE2735		CE2737	
12	COLLET SLEEVE KEY	PT493NH1		PT493NH1		PT493NH1	
13	DRAW BAR ASSEMBLY	AS793R1		AS793T1		AS793F1	

*AVAILABLE ONLY AS SUBASSEMBLY. PARTS INCLUDED ARE INDICATED BY THE ITEM NUMBERS APPEARING IN PARENTHESES AFTER PART NAME.

UNIT CODE NUMBER
STAMPED HERE



SERIAL NUMBER OF LATHE AND UNIT CODE
NUMBER "MUST" ACCOMPANY ORDER.

COLLET RACK

10".....11/16" 1" & 1-1/16" Col.
13".....11/16" 1" & 1-1/16" Col.
14-1/2".....3/4" 1" & 1-1/16" Col.
16" & 16-24"..... 1" & 1-1/16" Col.

FOR 10" - 13" - 14-1/2" - 16" & 16-24" , 1" & 1-1/16" COLLET CAPACITY LATHES. FOR USE WITH #5 COLLET

ITEM NO.	PART NAME	10" (1" & 1-1/16" Col.)		13" (1" & 1-1/16" Col.)		14-1/2" (1" & 1-1/16" Col.)		16" & 16-24" (1" & 1-1/16" Col.)	
		PART NO.		PART NO.		PART NO.		PART NO.	
1	COLLET RACK	PT780L2		PT780TH2		PT780TH2		PT780TH2	
2	RACK PIPE	PT497R1		PT497T1		PT497F1		PT497H1	
3	DRAW BAR HOOK	PT781LH2		PT781LH2		PT781LH2		PT781LH2	
4	CLAMP SCREW	PT210R1		PT871T1		PT871F1		PT871H1	
5	BRACKET	PT782L2		PT782T3		PT782F2		PT782H2	
6	BRACKET CLAMP	PT863NR1		PT863TF1		PT863TF1		PT863H1	
7	SET SCREW	122 x 624		122 x 624		122 x 624		122 x 628	
8	JAM NUT	137 x 25		137 x 25		137 x 25		137 x 25	
9	SET SCREW	122 x 505		122 x 505		122 x 505		122 x 505	
10	Sq. Hd. SET SCREW	118 x 108		118 x 110		118 x 210		118 x 212	

FOR 10" & 13", 11/16" COLLET CAPACITY LATHES - FOR USE WITH #2 COLLET.

FOR 14-1/2", 3/4" COLLET CAPACITY LATHES - FOR USE WITH #4 COLLET

ITEM NO.	PART NAME	10" (11/16" Col.)		13" (11/16 Col.)		14-1/2" (3/4" Col.)	
		PART NO.		PART NO.		PART NO.	
1	COLLET RACK	PT780KR2		PT780T2		PT780F2	
2	RACK PIPE	PT497R1		PT497T1		PT497F1	
3	DRAW BAR HOOK	PT781NR & T1		PT781NR & T1		PT781LH2	
4	CLAMP SCREW	PT210R1		PT871T1		PT871F1	
5	BRACKET	PT782L2		PT782T1		PT782F2	
6	BRACKET CLAMP	PT863NR1		PT863TF1		PT863TF1	
7	SET SCREW	122 x 624		122 x 624		122 x 624	
8	JAM NUT	137 x 25		137 x 25		137 x 25	
9	SET SCREW	122 x 505		122 x 505		122 x 505	
10	Sq. Hd. SET SCREW	118 x 108		118 x 110		118 x 210	