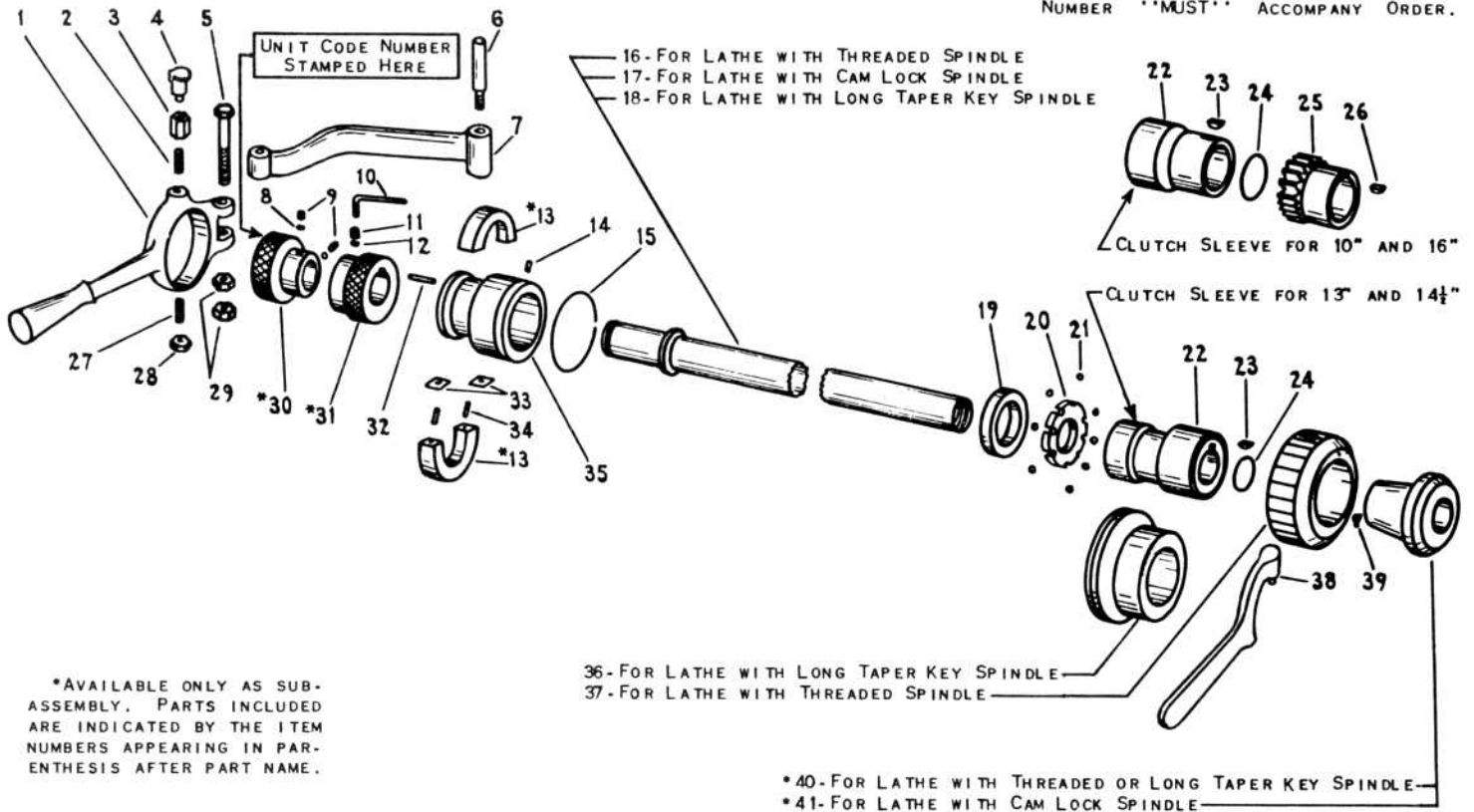


SERIAL NUMBER OF LATHE AND UNIT CODE NUMBER "MUST" ACCOMPANY ORDER.



*AVAILABLE ONLY AS SUB-ASSEMBLY. PARTS INCLUDED ARE INDICATED BY THE ITEM NUMBERS APPEARING IN PARENTHESIS AFTER PART NAME.

HANDLEVER COLLET ATTACHMENT
FOR 10", 13", 14½", 16" AND 16-24" LATHES WITH 1-1/16" COLLET CAPACITY

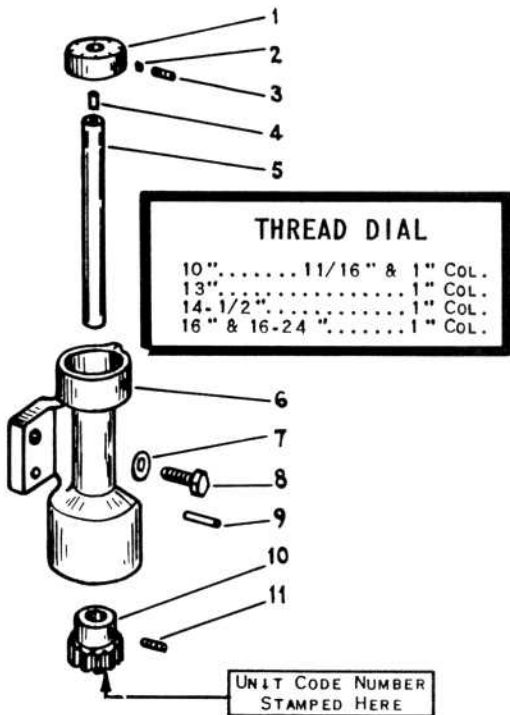
| ITEM NO. | PART NAME | 10" | | 13" | | 14-1/2" | | 16" & 16-24" | |
|----------|------------------------|-----------|--|-----------|--|-----------|--|--------------|--|
| | | PART NO. | | PART NO. | | PART NO. | | PART NO. | |
| 1. | Yoke Lever | PT990LT2 | | PT990LT2 | | PT990FH1 | | PT990FH1 | |
| 2. | Yoke Lever Screw-Upper | PT492LH1 | | PT492LH1 | | PT492LH1 | | PT492LH1 | |
| 3. | Nut | PT494LH1 | | PT494LH1 | | PT494LH1 | | PT494LH1 | |
| 4. | Oiler | 155 x 5 | | 155 x 5 | | 155 x 5 | | 155 x 5 | |
| 5. | Yoke Bolt | PT991RT1 | | PT991RT1 | | PT991FH1 | | PT991FH1 | |
| 6. | Bracket Stud | PT997R1 | | PT997T1 | | PT997F1 | | PT997H1 | |
| 7. | Bracket | PT993R1 | | PT993T2 | | PT993F2 | | PT993H1 | |
| 8. | Shoe | PT4809RH1 | | PT4809RH1 | | PT4809RH1 | | PT4809RH1 | |
| 9. | Set Screw | 120 x 903 | | 120 x 903 | | 120 x 903 | | 120 x 903 | |
| 10. | Wrench | CE2392 | | CE2392 | | CE2392 | | CE2392 | |
| 11. | Set Screw | 126 x 503 | | 126 x 503 | | 126 x 503 | | 126 x 503 | |
| 12. | Shoe | PT1078RH1 | | PT1078RH1 | | PT1078RH1 | | PT1078RH1 | |
| 13. | Yoke Segment - (33-34) | *AS988LH1 | | *AS988LH1 | | *AS988LH1 | | *AS988LH1 | |
| 14. | Pin | PT1826-1 | | PT1826-1 | | PT1826-1 | | PT1826-1 | |
| 15. | Snap Ring | PT983LH1 | | PT983LH1 | | PT983LH1 | | PT983LH1 | |
| 16. | Draw Bar | PT975L3 | | PT975T4 | | PT975F4 | | PT975H3 | |
| 17. | Draw Bar | PT3609L3 | | PT3609T3 | | PT3609F3 | | PT975H3 | |
| 18. | Draw Bar | PT3706L3 | | PT3706T3 | | PT3706F3 | | PT3706H3 | |
| 19. | Collar | PT981LH2 | | PT981LH2 | | PT981LH2 | | PT981LH2 | |
| 20. | Ball Retainer | PT488LH2 | | PT488LH2 | | PT488LH2 | | PT488LH2 | |
| 21. | Steel Ball | 172 x 20 | | 172 x 20 | | 172 x 20 | | 172 x 20 | |
| 22. | Clutch Sleeve | PT979L3 | | PT979TF4 | | PT979TF4 | | PT979H3 | |
| 23. | Key | PT2070-1 | | PT2070-1 | | PT2070-1 | | PT2071 | |
| 24. | Snap Ring | PT976LH1 | | PT976LH1 | | PT976LH1 | | PT976LH1 | |
| 25. | Spindle Reverse Gear | PT980L1 | | ----- | | ----- | | PT980H1 | |
| 26. | Key | PT2070-1 | | ----- | | ----- | | PT2072 | |
| 27. | Yoke Lever Screw-Lower | PT994LT1 | | PT994LT1 | | PT994FH1 | | PT994FH1 | |
| 28. | Nut | PT1062-1 | | PT1062-1 | | PT1062-1 | | PT1062-1 | |

Continued On Reverse Side

| ITEM NO. | PART NAME | 10" | | 13" | | 14-1/2" | | 16" & 16-24" | |
|----------|-----------------------|------------|--|------------|--|------------|--|--------------|--|
| | | PART NO. | | PART NO. | | PART NO. | | PART NO. | |
| 29. | Nut | PT1062-1 | | PT1062-1 | | PT1060FH1 | | PT1060FH1 | |
| 30. | Clutch Stop Nut (8-9) | *AS978LH2 | | *AS978LH2 | | *AS978LH2 | | *AS978LH2 | |
| 31. | Lock Collar (11-12) | *AS998LH1 | | *AS998LH1 | | *AS998LH1 | | *AS998LH1 | |
| 32. | Pin | PT1837-1 | | PT1837-1 | | PT1837-1 | | PT1837-1 | |
| 33. | Felt Wick | 256 x 11 | | 256 x 11 | | 256 x 11 | | 256 x 11 | |
| 34. | Pin | 160 x 18 | | 160 x 18 | | 160 x 18 | | 160 x 18 | |
| 35. | Clutch Yoke Cone | PT986LH3 | | PT986LH3 | | PT986LH3 | | PT986LH3 | |
| 36. | Knock Out Nut | PT3719LH1 | | PT3719LH1 | | PT3719LH1 | | PT3719LH1 | |
| 37. | Knock Out Nut | PT995LT1 | | PT995LT1 | | PT995FH1 | | PT995FH1 | |
| 38. | Spanner Wrench | CE2736 | | CE2736 | | CE2738 | | CE2738 | |
| 39. | Key | PT493NH1 | | PT493NH1 | | PT493NH1 | | PT493NH1 | |
| 40. | Collet Sleeve (39) | *AS795LH1 | | *AS795LH1 | | *AS795LH1 | | *AS795LH1 | |
| 41. | Collet Sleeve (39) | *AS3632LH1 | | *AS3632LH1 | | *AS3632LH1 | | *AS3632LH1 | |

SERIAL NUMBER OF LATHE AND UNIT CODE NUMBER 'MUST' ACCOMPANY ORDER.

*AVAILABLE ONLY AS SUB-ASSEMBLY. PARTS INCLUDED ARE INDICATED BY THE ITEM NUMBERS APPEARING IN PARENTHESIS AFTER PART NAME.



| ITEM NO. | PART NAME | (10" (11/16" & 1" COL.) | | 13" (1" COL.) | |
|----------|-----------------|-------------------------|--|---------------|--|
| | | PART NO. | | PART NO. | |
| 1 | INDICATOR DIAL | PT888R1 | | PT888TH1 | |
| 2 | SHOE | PT1078RH1 | | PT1078RH1 | |
| 3 | SET SCREW | 122 x 505 | | 122 x 506 | |
| 4 | OILER | 155 x 16 | | 155 x 16 | |
| 5 | INDICATOR SHAFT | PT891R2 | | PT891TH1 | |
| 6 | INDICATOR FRAME | PT886R1 | | PT886TH1 | |
| 7 | WASHER | 161 x 11 | | 161 x 16 | |
| 8 | CAP SCREW | 112 x 112 | | 112 x 214 | |
| 9 | PIN | 160 x 52 | | 160 x 52 | |
| 10 | IND. WORM WHEEL | PT887NR2 | | PT887TH1 | |
| 11 | SET SCREW | 120 x 6 | | 122 x 506 | |

| ITEM NO. | PART NAME | 14-1/2" (1" COL.) | | 16" & 16/24" (1" COL.) | |
|----------|-----------------|-------------------|--|------------------------|--|
| | | PART NO. | | PART NO. | |
| 1 | INDICATOR DIAL | PT888TH1 | | PT888TH1 | |
| 2 | SHOE | PT1078RH1 | | PT1078RH1 | |
| 3 | SET SCREW | 122 x 506 | | 122 x 506 | |
| 4 | OILER | 155 x 16 | | 155 x 16 | |
| 5 | INDICATOR SHAFT | PT891TH1 | | PT891TH1 | |
| 6 | INDICATOR FRAME | PT886TH1 | | PT886TH1 | |
| 7 | WASHER | 161 x 16 | | 161 x 16 | |
| 8 | CAP SCREW | 112 x 214 | | 112 x 214 | |
| 9 | PIN | 160 x 52 | | 160 x 52 | |
| 10 | IND. WORM WHEEL | PT887TH1 | | PT887TH1 | |
| 11 | SET SCREW | 122 x 506 | | 122 x 506 | |