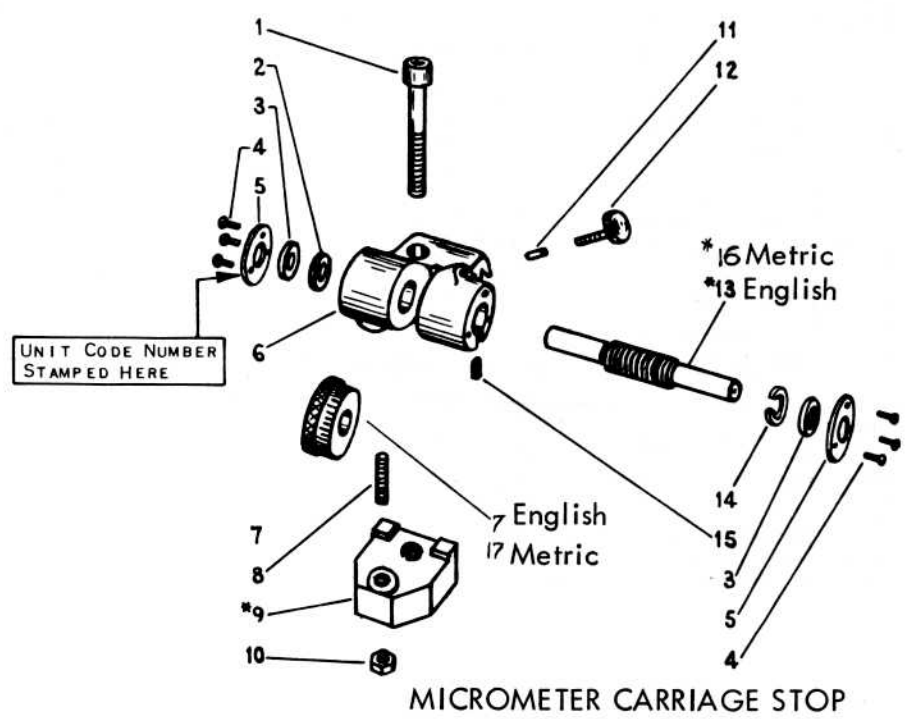
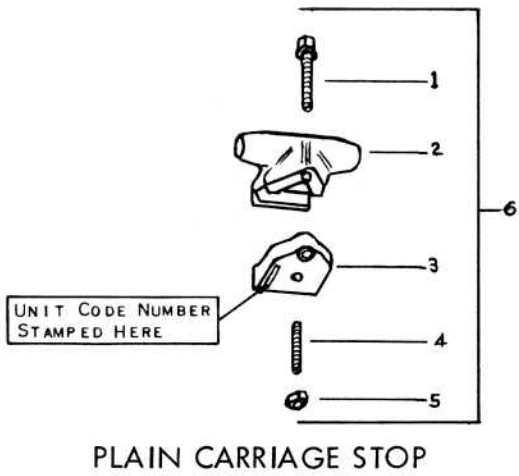
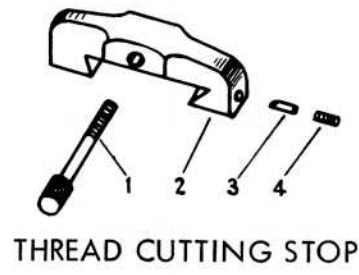
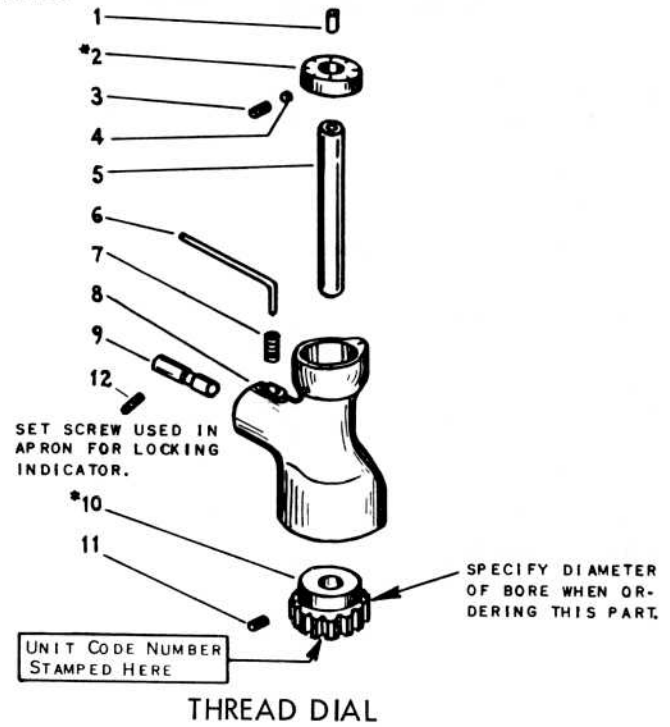
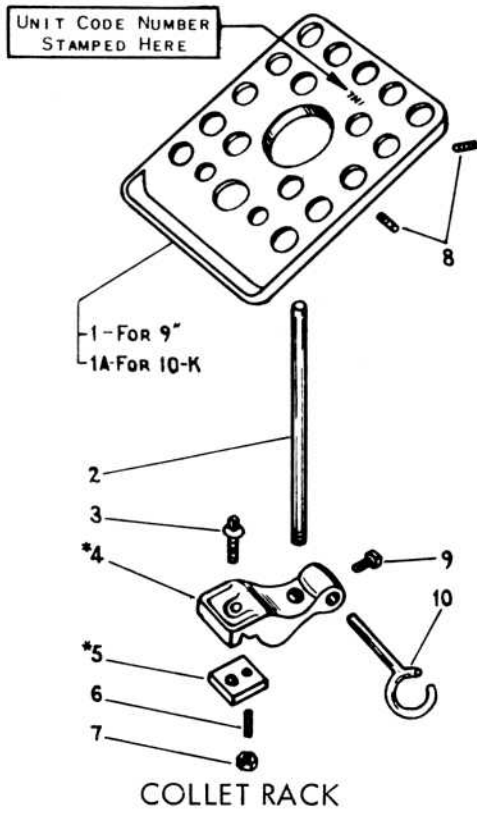


9" & 10-K ACCESSORIES



* AVAILABLE ONLY AS SUB-ASSEMBLY. PARTS INCLUDED ARE INDICATED BY THE ITEM NUMBERS APPEARING IN PARENTHESIS AFTER PART NAME.

SERIAL NUMBER OF LATHE AND UNIT CODE NUMBER 'MUST' ACCOMPANY ORDER

9" & 10-K MICROMETER CARRIAGE STOP

ITEM NO.	PART NAME	PART NO.
1	CAP SCREW	114 x 124
2	FELT WASHER	PT1207NT1
3	BUSHING	PT1206NT1
4	PHILLIP SCREW	104 x 206
5	COVER PLATE	PT1209NT1
6	MICROMETER STOP FRAME	
7	ORDER ITEM 13	PT1203NT2
8	SET SCREW	122 x 520
9	CLAMP (8-10)	*AS1201NK1
10	JAM NUT	137 x 23
11	SHOE	PT1083NT1
12	LOCK SCREW	PT1204NT2
13	SHAFT (7) English	*AS1202NK2
14	FELT WASHER -- SLOTTED	PT1208NT1
15	KEY	PT1210NH1
16	Shaft (17) Metric	PT2271NK1
17	Order Item 16	

9" & 10-K COLLET RACK

ITEM NO.	PART NAME	PART NO.
1	COLLET RACK	PT780N2
1A	COLLET RACK	PT780KR2
2	RACK PIPE	PT497NK1
3	COLLAR SCREW	PT371NK1
4	BRACKET (3-*5-9)	*AS782NK1
5	CLAMP (6-7)	*AS863NR1
6	SET SCREW	122 x 624
7	JAM NUT	137 x 25
8	SET SCREW	122 x 505
9	SQUARE HD. SET SCREW	118 x 108
10	DRAW BAR HOOK	PT781NR & T1

9" & 10-K THREAD DIAL

ITEM NO.	PART NAME	PART NO.
1	OILER	155 x 16
2	INDICATOR DIAL (3-4)	*AS888NK2
3	SET SCREW	122 x 903
4	SHOE	PT1078NK1
5	INDICATOR SHAFT	PT891NK2
6	WRENCH	CE2392
7	SET SCREW	120 x 6
8	INDICATOR FRAME	
9	MOUNTING STUD	PT889NK1
10	WORM WHEEL (11)	*AS887NR2
11	SET SCREW	120 x 6
12	SET SCREW	120 x 6

9" & 10-K PLAIN CARRIAGE STOP

ITEM NO.	PART NAME	PART NO.
1	Collar Screw	PT210NK2
2	Stop	PT1489NK1
3	Clamp	PT1201NK1
4	Set Screw	122 x 520
5	Hex Nut	137 x 23
6	Complete Unit	CL758NK1

9" & 10-K THREAD CUTTING STOP

ITEM NO.	PART NAME	PART NO.
1	SCREW	PT245NR1
2	THD. CUTTING STOP	PT67NK1
3	BINDER PLUG	PT418NK1
4	SET SCREW	122 x 606