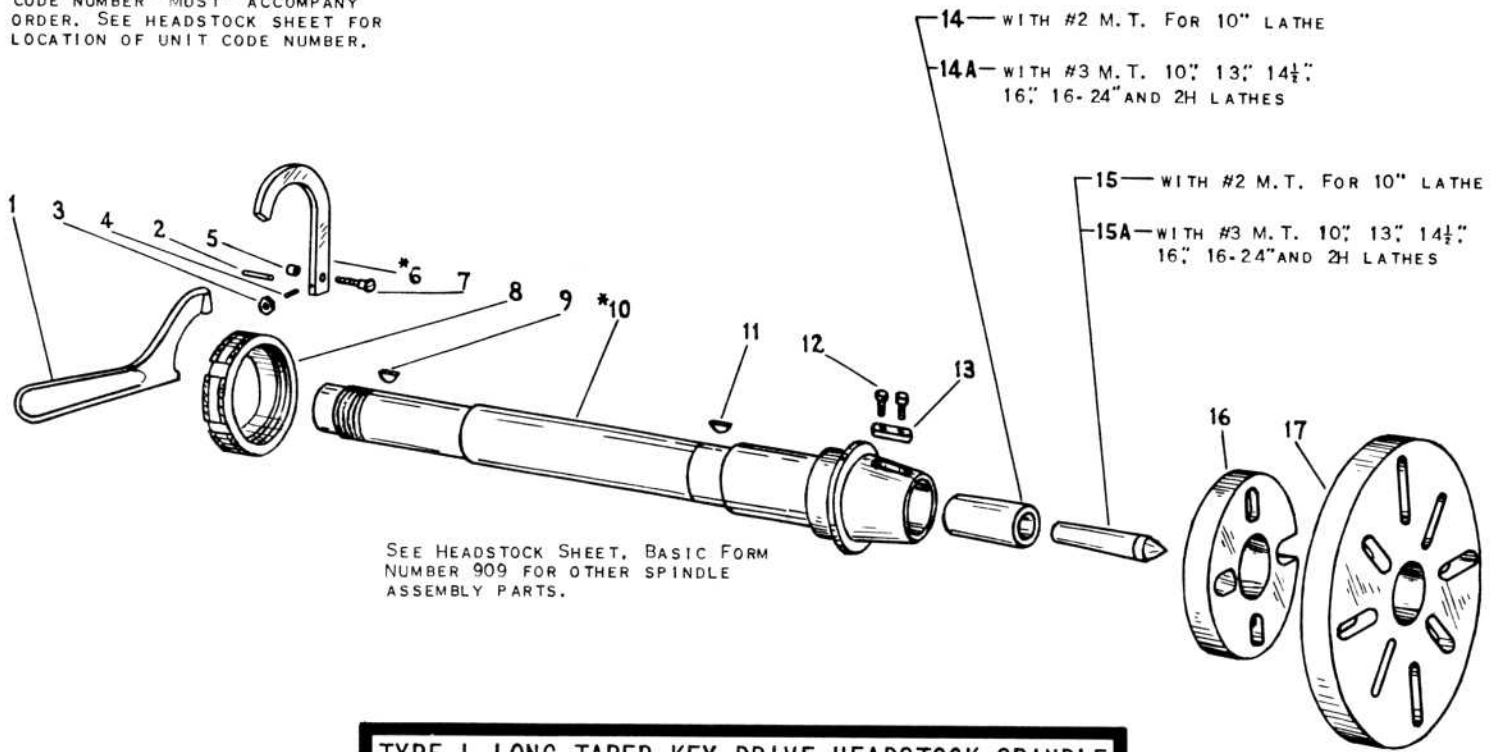


SERIAL NUMBER OF LATHE AND UNIT CODE NUMBER "MUST" ACCOMPANY ORDER. SEE HEADSTOCK SHEET FOR LOCATION OF UNIT CODE NUMBER.



SEE HEADSTOCK SHEET, BASIC FORM NUMBER 909 FOR OTHER SPINDLE ASSEMBLY PARTS.

**TYPE L LONG TAPER KEY DRIVE HEADSTOCK SPINDLE**

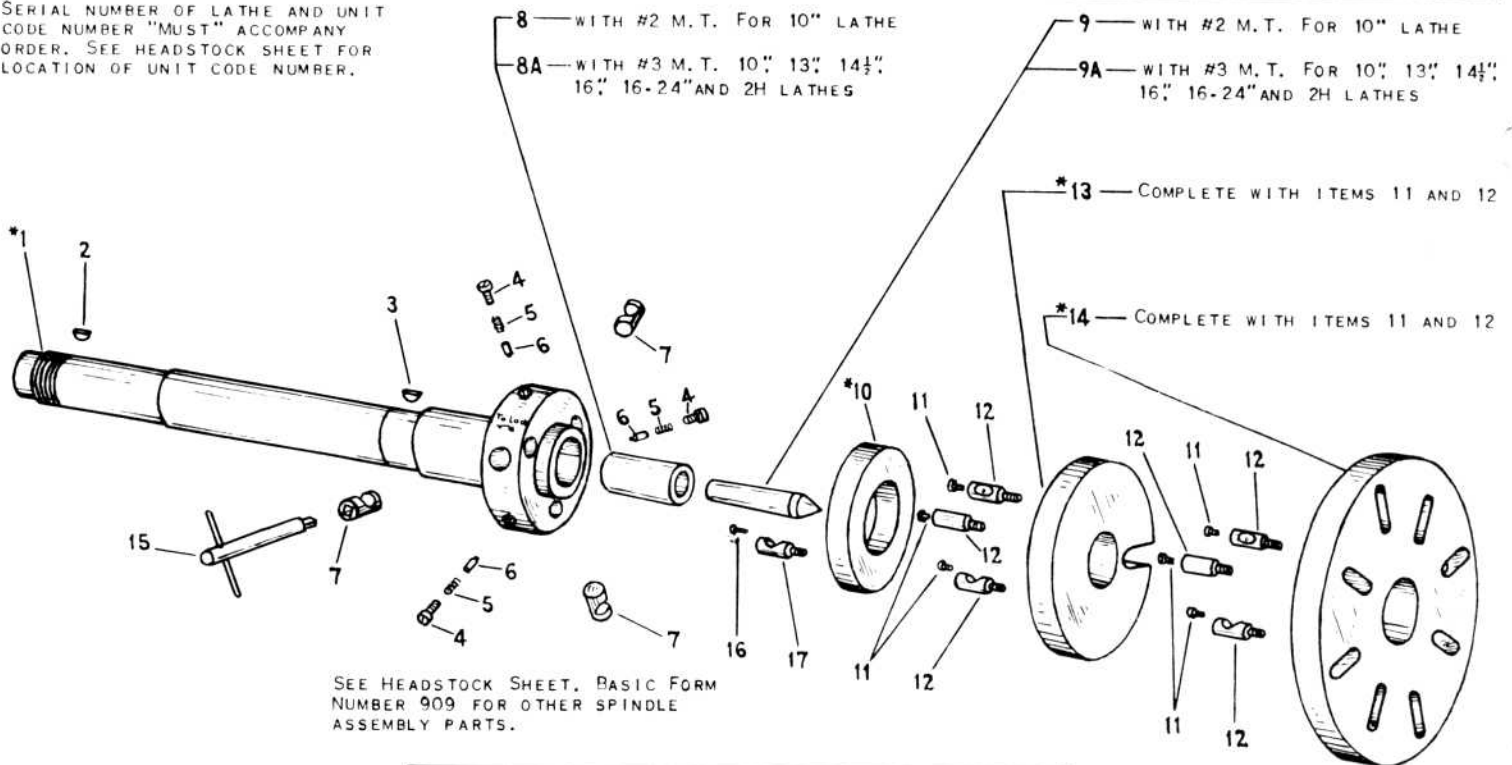
SIZE-00

FOR 10", 13", 14½", 16", 16-24" AND 2H, 1" COL. LATHES.

\*AVAILABLE ONLY AS SUB-ASSEMBLY. PARTS INCLUDED ARE INDICATED BY THE ITEM NUMBERS APPEARING IN PARENTHESIS AFTER PART NAME.

ITEM NO.	PART NAME	10" (1" Col.)		13" (1" Col.)		14½" (1" Col.)		16", 16-24", 2H (1" Col.)	
		PART NO.		PART NO.		PART NO.		PART NO.	
1	WRENCH	PT3724LH1		PT3724LH1		PT3724LH1		PT3724LH1	
2	PIN	X- 1822		160 x90		160 x90		160 x90	
3	NUT	138 x17		138 x17		138 x17		138 x17	
4	SCREW	120 x9 14		120 x9 14		120 x9 14		120 x9 14	
5	SPACER	PT37 22L 1		PT3722TH1		PT3722TH1		PT3722TH1	
6	HINGED WEDGE (3-4-5-7)	*AS3721L 2		*AS3721TH2		*AS3721TH2		*AS3721TH2	
7	SHOULDER SCREW	PT3723L 1		PT3723TH1		PT3723TH1		PT3723TH1	
8	DRAW-NUT	PT3725LH1		PT3725LH1		PT3725LH1		PT3725LH1	
9	KEY	PT2070- 1		PT2072		PT2072		PT2072	
10	SPINDLE TYPE LOO (9-11-12-13)	*AS3700L 1		*AS3700T1		*AS3700F1		*AS3700H1	
11	KEY	PT2072		PT2072		PT2072		PT2076	
12	SCREW	114x605		114x605		114x605		114x605	
13	KEY	PT37 20LH1		PT37 20LH1		PT3720LH1		PT3720LH1	
14	SPINDLE SLEEVE #2 M. T.	CL 20 5L		CL 205H		CL 20 5H		CL 20 5H	
14A	SPINDLE SLEEVE #3 M. T.	CL205H		CL 205H		CL 20 5H		CL 20 5H	
15	CENTER #2 M. T.	CE2401		CE2402		CE2402		CE2402	
15A	CENTER #3 M. T.	CE2402		CA2 17 5T		CA217 5FH		CA217 5FH	
16	FACE PLATE-SMALL	CA2 17 5L		CA2180T		CA2180FH		CA2180FH	
17	FACE PLATE-LARGE	CA2 180L							

SERIAL NUMBER OF LATHE AND UNIT CODE NUMBER "MUST" ACCOMPANY ORDER. SEE HEADSTOCK SHEET FOR LOCATION OF UNIT CODE NUMBER.



SEE HEADSTOCK SHEET, BASIC FORM NUMBER 909 FOR OTHER SPINDLE ASSEMBLY PARTS.

**TYPE D1 CAM LOCK HEADSTOCK SPINDLE**  
 SIZE-4"  
 FOR 10", 13", 14½", 16", 16-24" AND 2H, 1" COL. LATHES.

\*AVAILABLE ONLY AS SUB-ASSEMBLY. PARTS INCLUDED ARE INDICATED BY THE ITEM NUMBERS APPEARING IN PARENTHESIS AFTER PART NAME.

ITEM NO.	PART NAME	10" (1" Col.)		13" (1" Col.)		14½" (1" Col.)		16", 16-24", 2H (1" Col.)	
		PART NO.		PART NO.		PART NO.		PART NO.	
1	SPINDLE-4" CAM LOCK (2-3-4-5-6-7)	*AS3600L1		*AS3600T1		*AS3600F1		*AS3600H1	
2	KEY	PT2070-1		PT2072		PT2072		PT2072	
3	KEY	PT2072		PT2072		PT2072		PT2076	
4	CAP SCREW	114x112		114x112		114x112		114x112	
5	DETENT SPRING	PT3639LH1		PT3639LH1		PT3639LH1		PT3639LH1	
6	DETENT PLUNGER	PT3638LH1		PT3638LH1		PT3638LH1		PT3638LH1	
7	CAM	PT3629LH1		PT3629LH1		PT3629LH1		PT3629LH1	
8	SPINDLE SLEEVE #2 M.T.	PT3604L1		-----		-----		-----	
8A	SPINDLE SLEEVE #3 M.T.	PT3605L1		PT3605T1		-----		-----	
9	CENTER #2 TAPER	CE2401		-----		PT3605FH1		PT3605FH1	
9A	CENTER #3 TAPER	CE2402		CE2402		-----		-----	
10	SPINDLE NOSE PROTECTOR (16-17)	-----		-----		CE2402		CE2402	
11	SCREW	*AS3641LH2		*AS3641LH2		*AS3641LH2		*AS3641H2	
12	CAM LOCK STUD	114x8		114x8		114x8		114x8	
		PT3626LH1		PT3626LH1		PT3626LH1		PT3626LH1	
13	FACE PLATE SMALL (11-12)	CB2175LT		CB2175LT		CB2175FH		CB2175FH	
14	FACE PLATE LARGE (11-12)	CB2180L		CB2180T		CB2180FH		CB2180FH	
15	WRENCH	CE2743		CE2743		CE2743		CE2743	
16	SCREW	103x206		103x206		103x206		103x206	
17	STUD	PT3642LH1		PT3642LH1		PT3642LH1		PT3642LH1	