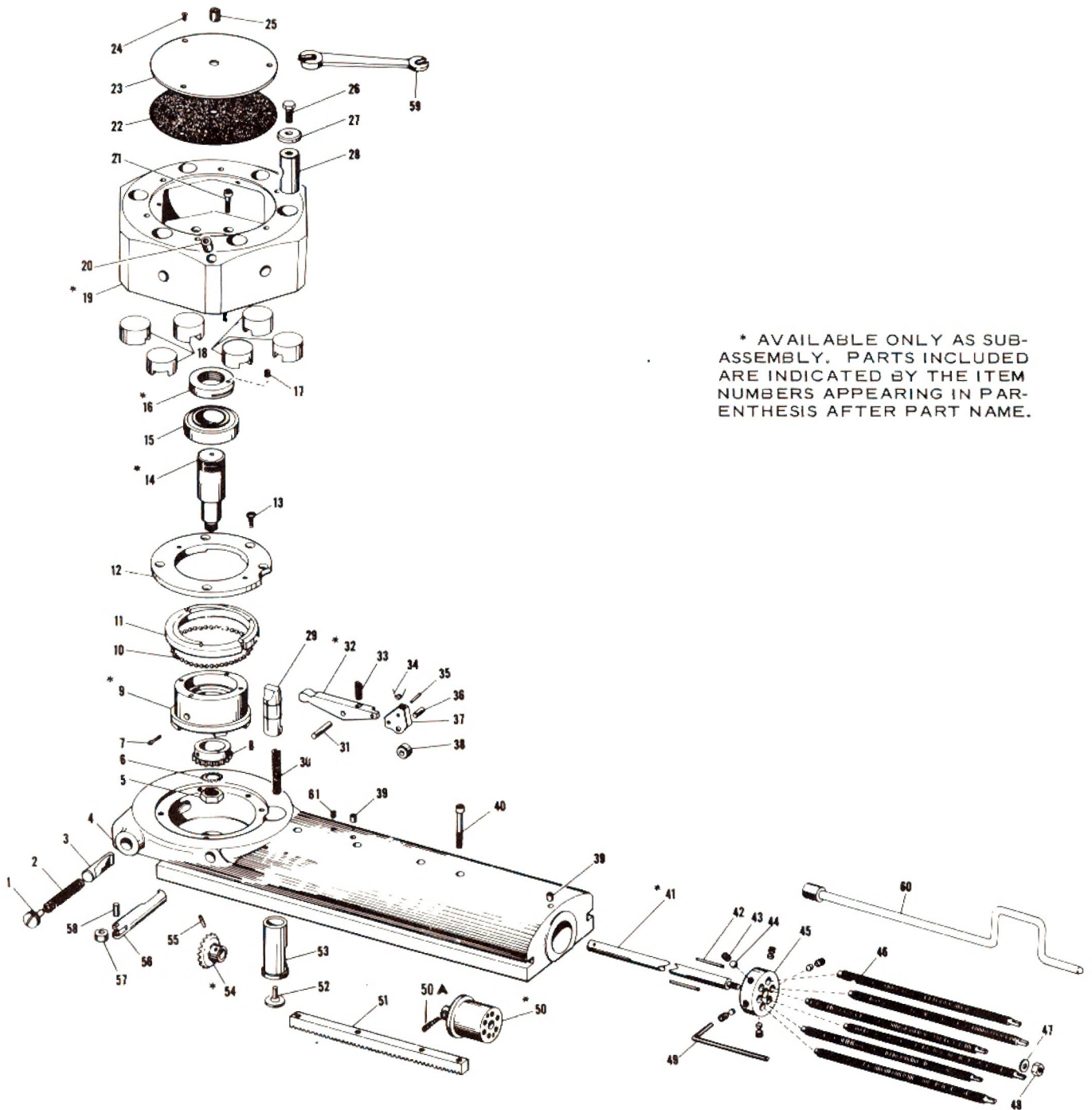


SERIAL NUMBER OF LATHE AND UNIT CODE NUMBER 'MUST' ACCOMPANY ORDER. SEE TURRET BASE SHEET FOR LOCATION OF UNIT CODE NUMBER.



\* AVAILABLE ONLY AS SUB-ASSEMBLY. PARTS INCLUDED ARE INDICATED BY THE ITEM NUMBERS APPEARING IN PARENTHESIS AFTER PART NAME.

**13" TURRET RAM AND HEAD**

SEE LIST ON REVERSE SIDE

ITEM NO.	PART NAME	PART NO.	NO. REQD.	
1	CLAMP FINGER SPRING RETAINER	PT3458T1	1	
2	CLAMP FINGER SPRING	PT3914H1	1	
3	CLAMP FINGER	PT3447T1	1	
4	TURRET RAM			
5	HEX NUT	WRITE FOR INFORMATION		
6	LOCK WASHER	PT215R1	1	
7	CAP SCREW	180 X 310	1	
8	TURRET HEX GEAR	114 X 710	1	
9	INDEX BUSHING (7-8)	PT3023T1	1	
10	BALL	*AS3442T1	1	
11	LOWER CAM	172 X 12	57	
12	UPPER CAM	PT3443T1	1	
13	SCREW	PT3444T1	1	
14	PIVOT POST (5-6)	103 X 610	5	
15	BEARING	*AS3450T1	1	
16	PIVOT POST NUT (17)	PT442FH1	1	
17	SET SCREW	*AS3467T1	1	
18	LOCK BOLT INDEXING BUSHING	120 X 903	1	
19	HEX TURRET (18-20-21-22-23-24-25-26-27-28)	PT3013H2	6	
20	BALL OILER	*AS3002T1	1	
21	CAP SCREW	155 X 14	1	
22	COVER PLATE GASKET	114 X 12	6	
23	COVER PLATE	PT3466T1	1	
24	SCREW	PT3465T1	1	
25	BALL OILER	103 X 6	3	
26	CAP SCREW	155 X 14	1	
27	BINDER BOLT WASHER	PT2902T1	6	
28	TURRET BINDER	PT3037T1	6	
29	LOCK BOLT	PT3010T1	6	
30	LOCK BOLT SPRING	PT3011T1	1	
31	STRAIGHT PIN	PT3014H1	1	
32	LOCK BOLT LEVER (31-33-35)	PT3459T1	1	
33	SPRING	*AS3016T1	1	
34	LOCK BOLT LEVER SPRING	162 X 58	1	
35	PIN	PT3452T1	1	
36	STRAIGHT PIN	160 X 270	1	
37	ROLLER BRACKET (34-35-36-38)	PT1838-1	1	
38	LOCK BOLT ROLLER	*AS3451T1	1	
39	BALL OILER	PT3017T1	1	
40	CAP SCREW	155 X 17	2	
41	STOP SCREW INDEX SHAFT (47-48-*54)	114 X 34	4	
42	STRAIGHT PIN	*AS3030T1	1	
43	SET SCREW	160 X 29	2	
44	SHOE	120 X 105	6	
45	ORDER ITEM *50	PT1084H1	6	
46	STOP SCREW		1	
47	WASHER	PT3029T1	6	
48	HEX NUT	161 X 66	1	
49	WRENCH	136 X 25	1	
50	STOP SCREW INDEX (42-43-44-45-50A)	CE2385	1	
50A	TAPER PIN	*AS3004T1	1	
51	RACK	168 X 206	1	
52	LOCK BOLT SPRING RETAINER	PT3041T1	1	
53	LOCK BOLT BUSHING	PT3015H1	1	
54	STOP SCREW GEAR (55)	PT3012T1	1	
55	TAPER PIN	*AS3024T1	1	
56	RELEASE FINGER	168 X 307	1	
57	RELEASE FINGER ROLLER	PT3448T1	1	
58	PIN	PT3446T1	1	
59	WRENCH	PT3460T1	1	
60	WRENCH	PT2461-1	1	
61	SET SCREW	AS3073T1	1	
		120 X 916	1	