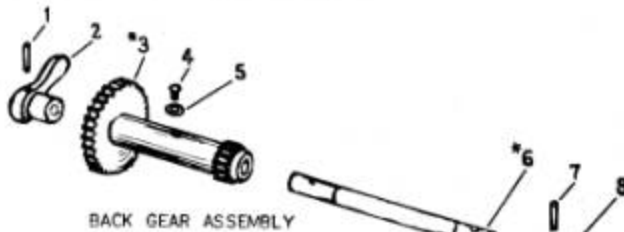
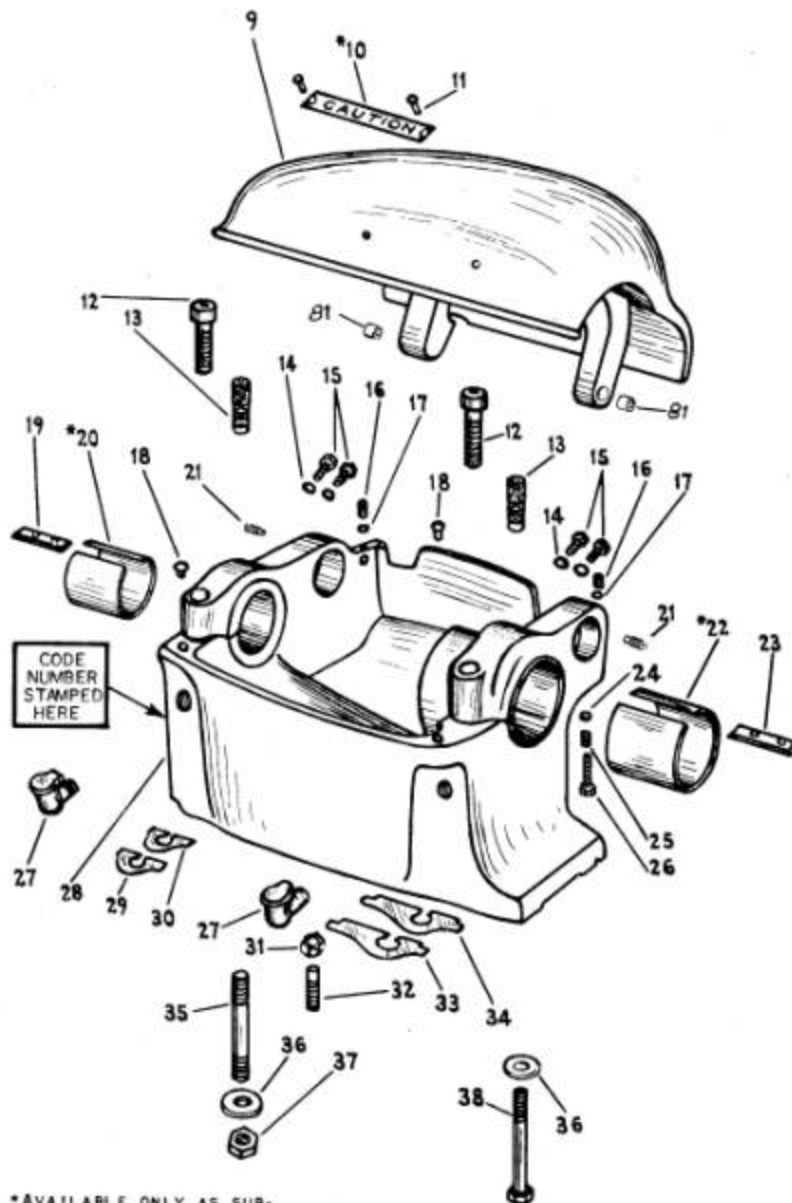


SERIAL NUMBER OF LATHE AND UNIT  
CODE NUMBER 'MUST' ACCOMPANY ORDER

**9" UNDERDRIVE HEADSTOCK**  
WITH SLEEVE BEARINGS  
MODEL A, B, OR C



BACK GEAR ASSEMBLY



\*AVAILABLE ONLY AS SUB-ASSEMBLY. PARTS INCLUDED ARE INDICATED BY THE ITEM NUMBERS APPEARING IN PARENTHESIS AFTER PART NAME.

ITEM NO.	PART NO.	PART NAME
1	168X312	TAPER PIN
2	PT24NK2	ORDER ITEM 6
3	*AS361NK2	BACK GEARS (4-5)
4	PT115IN1	SCREW
5	PT378NK1	WASHER
6		ECCENTRIC SHAFT (1-2-7-8)
7	*AS202NK1	
8	168X310	TAPER PIN
9	PT438NK1	ORDER ITEM 6
10	PT2576NK2	CONE COVER
11	*AS2583NK1	CAUTION PLATE (11)
12	132X1	DRIVE SCREW
13	114X220	CAP SCREW
14	AS373KH2	CAPILLARY OILER
15	183X103	WASHER
16	PT1165RH1	SCREW
17	122X106	HINGE SCR. LOCK SCR.
18	PT1080NK1	SHOE
19	PT387NK1	RUBBER BUMPER
20	PT523K2	EXPANDER (SMALL)
21	*AS512K1	SMALL BEARING (13-14-15-19-29-30)
22	PT2588NK1	GUARD HINGE SCREW
23	*AS512K1	LARGE BEARING (13-14-15-23-33-34)
24	PT524K2	EXPANDER (LARGE)
25	PT1075NR1	SHOE
26	PT374NR1	SPRING
27	112X1112	SCREW
28	PT2676NK1	OILER
29	PT2577NK4	U. D. HEADSTOCK
30	PT366K1	SOLID SHIM (SMALL)
31	PT365K1	LAMINATED SHIM (SMALL)
32	139X26	NUT
33	PT377NR1	STOP SCREW
34	PT364K1	SOLID SHIM (LARGE)
35	PT363K1	LAMINATED SHIM (LARGE)
36	PT385NK1	CLAMPING STUD
37	PT1672NK1	WASHER
38	138X27	NUT
39	112X248	SCREW
40	137X29	NUT
41	PT28NK1	REVERSE GEAR
42	256X1	FELT WICK
43	-----	-----
44	PT27K32NK1	TWIN GEAR
45	256X14	FELT WICK
46		REVERSE BRACKET (45-53-*60)
47	*AS635K2	
48	139X25	NUT
49	256X3	FELT WICK
50	*AS637NK1	REVERSE SHAFT (40)
51	PT2585K2	LOCK BUSHING
52	PT409T1	SNAP RING
53	*AS229K1	TWIN GEAR STUD (42-47)
54	155X38	OILER
55	PT2584K1	PIN
56	PT2586K1	BUSHING
57	162X35	SPRING
58	PT88NK2	PLUNGER KNOB
59	PT1501	PLUG
60	164X85	KEY
61	*AS640K1	REVERSE PLUNGER (54-55-56-57-61)
62	160X10	PIN
63	*AXS635K2	REV. BRACKET ASSEMBLY (41-44-*46-48-*49-50 51-*52-58-59)
64	*AS25NK1	TAKE UP NUT (64-76)
65	PT26NK1	TAKE UP WASHER
66	PT207NK1	THRUST BEARING
	*AS14NK1	CONE (67)

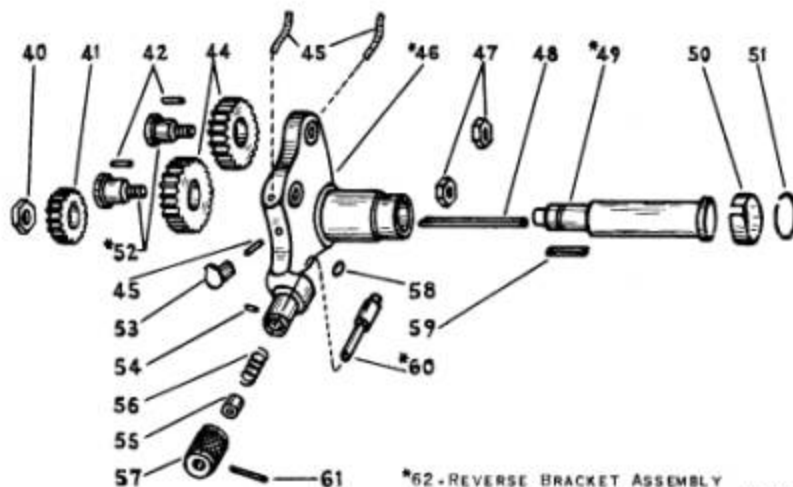
CONTINUED ON REVERSE SIDE

ITEM NO.	PART NO.	PART NAME
67	PT381NH1	OIL PLUG SCREW
68	*AS15NK1	BULL GEAR (69-70)
69	PT367NR1	SPRING
70	PT214NR2	PLUNGER
71	PT200N2	SPINDLE
72	PT370K1	PROTECTING RING
73	QL2175NK	FACE PLATE 5 1/8" O.D.
74	QL205NK	SPINDLE SLEEVE
75	CE2401	CENTER
76	PT382NK1	SCREW
77	PT2090	KEY
78	*AS432NK1	CONE (67-79-80)
79	160X23	PIN
80	PT433NK1	"V"-CONE PINION
81	PT2589NK1	BUSHING

\* AVAILABLE ONLY AS SUB-ASSEMBLY. PARTS INCLUDED ARE INDICATED BY THE ITEM NUMBERS APPEARING IN PARENTHESIS AFTER PART NAME.

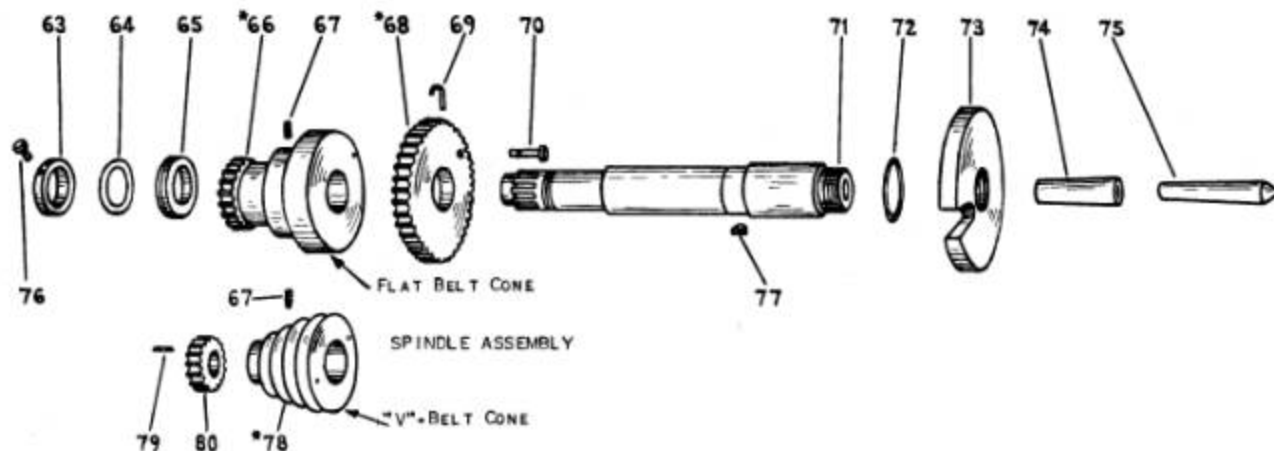
### 9" UNDERDRIVE HEADSTOCK WITH SLEEVE BEARINGS MODEL A, B, OR C

SERIAL NUMBER OF LATHE AND UNIT  
CODE NUMBER 'MUST' ACCOMPANY ORDER



\*62-REVERSE BRACKET ASSEMBLY  
INCLUDES ALL PARTS SHOWN ABOVE

REVERSE BRACKET ASSEMBLY



FLAT BELT CONE

SPINDLE ASSEMBLY

"V"-BELT CONE