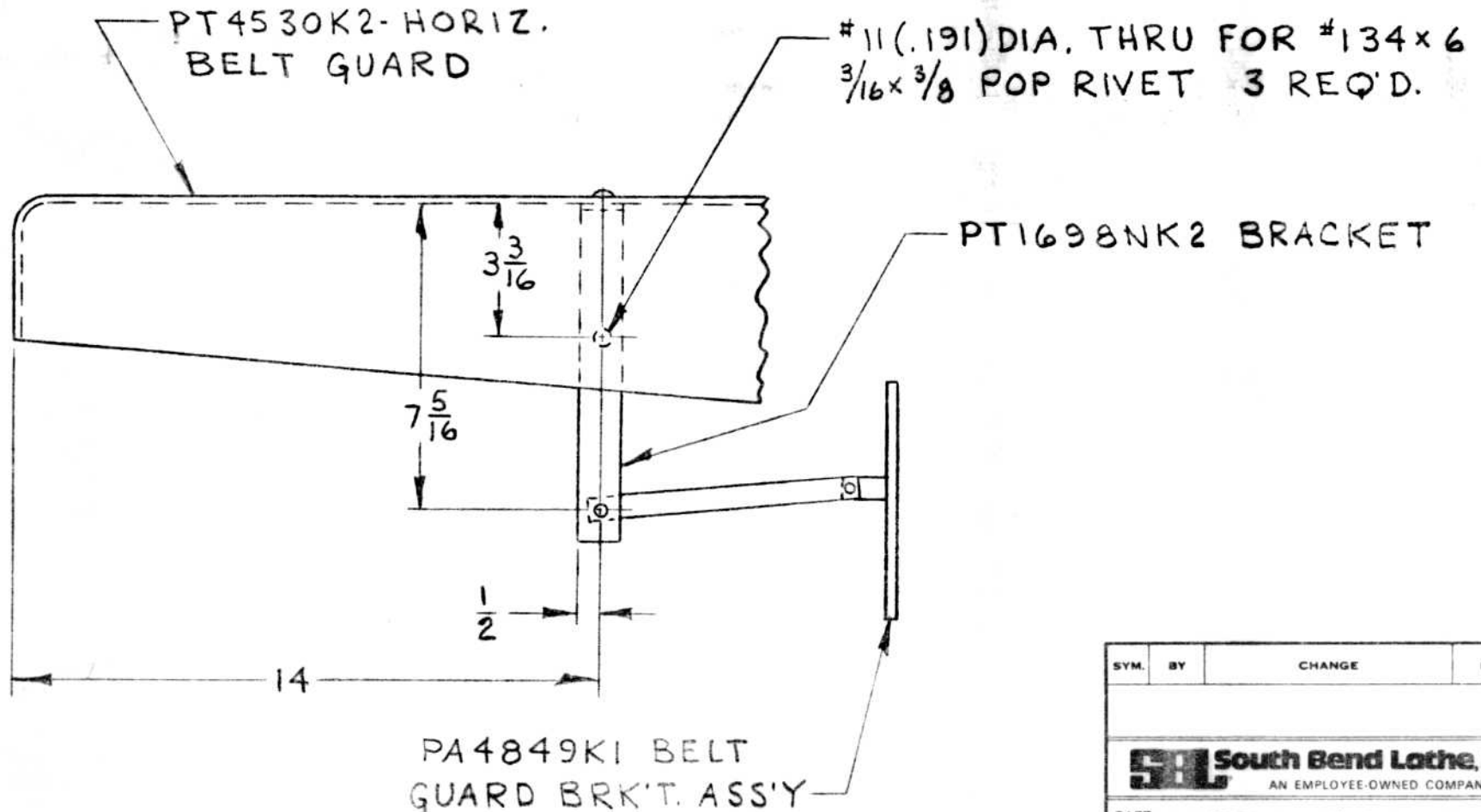


No. PA4530K2



UNLESS OTHERWISE SPECIFIED:

TOLERANCES: MICROINCH FINISH ON ALL MACHINED SURFACES. MAX. FRACTIONAL DIMENSIONS ± .010". ALL OTHER DIMENSIONS TO LIMITS GIVEN.

V THREADS: COUNTERSINK TAPPED HOLES TO MAJOR DIAMETER 150° INCLUDED ANGLE. CHAMFER MALE THREADED PARTS TO MINOR DIAMETER 150° INCLUDED ANGLE. THREAD LENGTH OR DEPTH DIMENSION INDICATES FULL THREADS.

ANGLES: ± 1/2 DEGREE. COUNTERSINKS: 82°. REMOVE ALL BURRS

SYM.	BY	CHANGE	DATE
SBL South Bend Lathe, Inc. AN EMPLOYEE-OWNED COMPANY			
PART OR UNIT HORIZ. BELT GUARD ASS'Y			
SUPERSEDED NUMBER			DATE
MAT'L <i>---</i>			
D'WN. BY SIGNATURE <i>J.P. Nicodemus</i>			DATE 3-16-77
C'KD. BY SIGNATURE <i>C.P. Tuller</i>			DATE 3-16-77
SCALE HALF	SHT. NO. 2 OF 2	CODE NO. NONE	
PART NO. PA4530K2			A