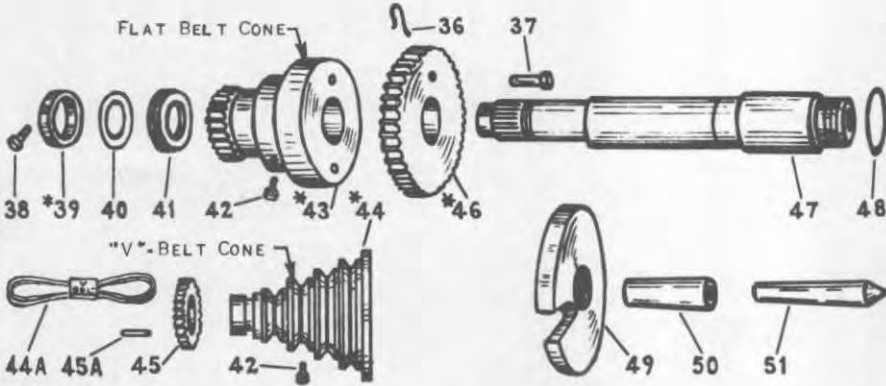
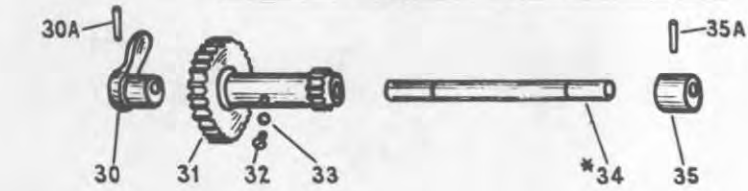
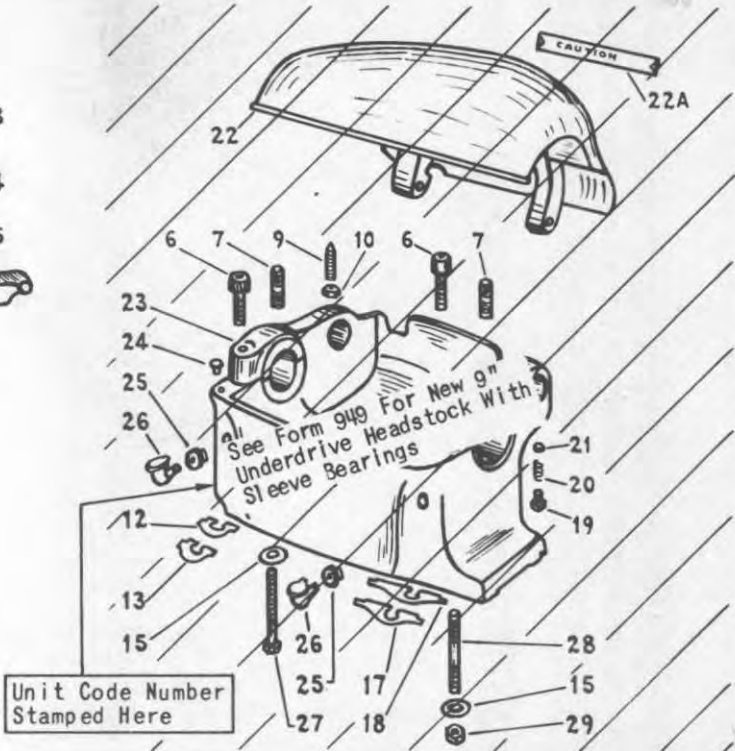


9" HORIZONTAL DRIVE HEADSTOCK
Model A, B, & C



*Available only as sub-assembly. Parts included are indicated by the item numbers appearing in parenthesis after part name.

Serial Number of Lathe and Unit Code Number MUST Accompany Order



9" UNDERDRIVE HEADSTOCK
Model A, B, & C

HEADSTOCK PARTS

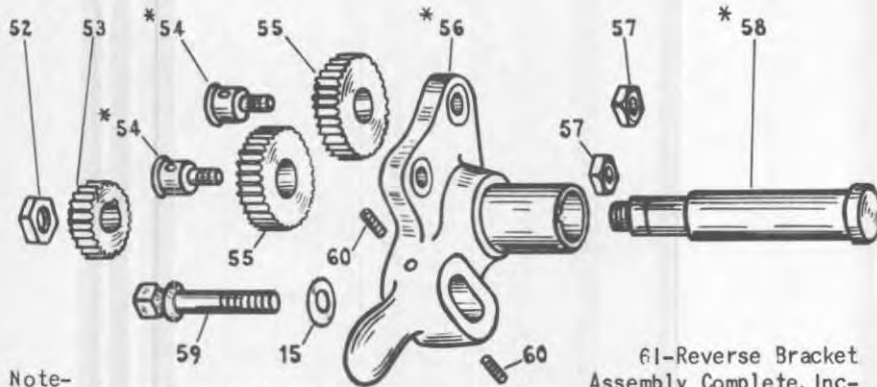
ITEM NO.	PART NO.	PART NAME	PRICE EACH
1	PT1943N2	BRACKET, 2-5/16"	\$ 1.55
2	PT1942N1	BRACKET, 2-3/4"	1.85
3	PT148N1	QUILL GUARD	3.30
4	PT149N1	BULL GUARD	3.00
5	AS362N1	SAFETY GUARD	1.55
6	114X220	SCREW	.45
7	AS373N1	CAPILLARY OILER	.30
8	PT10N2	HEADSTOCK (Price on Req.)	
9	PT377NRI	STOP SCREW	.10
10	PT1058NRI	NUT	.05
11	PT2677NRI	OILER	.50
12	PT365N1	LAM. SHIM	.50
13	PT366N1	SOLID SHIM	.30
14	PT13NK1	CLAMP, 1-31/32"	1.40
14A	PT13NK1	CLAMP, 2-5/32"	1.60
15	PT1672NK1	WASHER	.05
16	112X228	SCREW	.10
17	PT363N1	LAM. SHIM	.55
18	PT364N1	SOLID SHIM	.45
19	PT376NRI	SCREW	.05
20	PT374NRI	SPRING	.05
21	PT1075NRI	SHOE	.05
22	PT2576NK1	COVER	19.60
22A	PT2583NK1	CAUTION PLATE	.50

Continued on reverse side

NOTE: Exchange Headstocks are available for 9" Model A, B, & C Lathes. Write for information.

Prices net. F.O.B. South Bend, Ind. (Subject to change without notice)

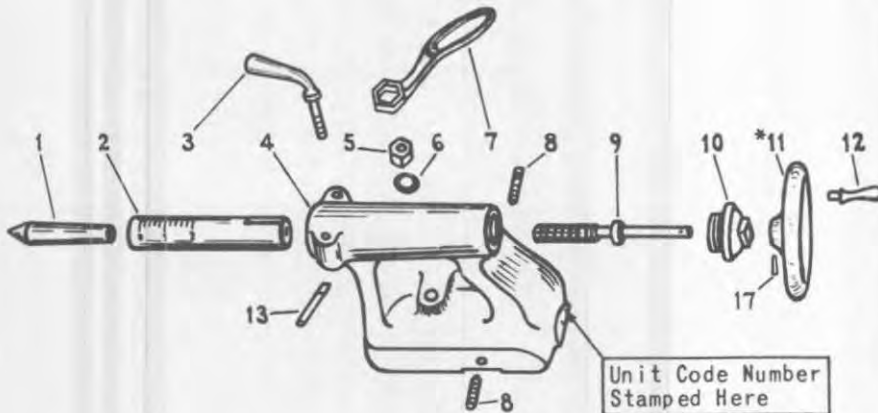
Serial Number of Lathe and Unit Code Number MUST Accompany Order



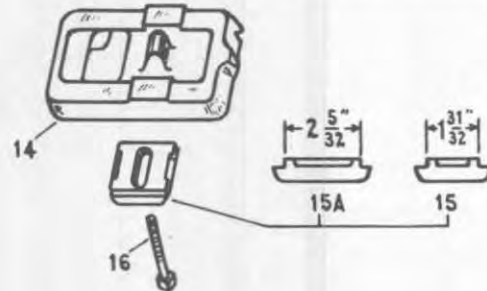
Note-
The 20 tooth and 40 tooth stud gears for the gear box lathe will be found on the gear box parts sheet, item Nos. 47 and 55.

61-Reverse Bracket Assembly Complete. Includes all items shown above.

9" HEADSTOCK (REVERSE BRACKET)
Model A, B, & C



Unit Code Number Stamped Here



9" TAILSTOCK
Model A, B, & C

*Available only as sub-assembly. Parts included are indicated by the item numbers appearing in parenthesis after part name.

HEADSTOCK PARTS

ITEM NO.	PART NO.	PART NAME	PRICE EACH
23	PT2575N2	HEADSTOCK (Price on Req.)	
24	PT387NK1	RUBBER BUMPER	\$.05
25	PT386N1	OILER FLANGE	.40
26	PT2676NK1	OILER	.70
27	112X248	CLAMP SCREW	.15
28	PT385NK1	STUD	.30
29	138X27	STUD NUT	.05
30	PT24NK2	Order Item 34	---
30A	168X312	TAPER PIN	.10
31	AS361NK2	BACK GEAR (32-33)	11.75
32	PT1151N1	OIL SCREW	.05
33	PT378NK1	OIL HOLE WASHER	.05
34	*AS202NK1	ECC. SHAFT (30-30A-35-35A)	8.15
35	PT438NK1	Order Item 34	---
35A	168X310	TAPER PIN	.10
36	PT367NRI	SPRING	.05
37	PT214NR2	PLUNGER	1.80
38	PT382NK1	SCREW	.10
39	*AS25NK2	TAKE-UP NUT (38-40)	2.15
40	PT26NK2	TAKE-UP WASHER	.10
41	PT207NK1	THRUST BEARING	9.80
42	PT381NHI	OIL PLUG SCREW	.10
43	*AS14HK1	CONE (42)	23.60
44	*AS432NK1	V CONE (42-45-45A)	42.75
44A	CE5L550	"V" BELT	2.74
45	PT433NK1	V CONE PINION	5.90
45A	160X23	PIN	.05
46	*AS15NK1	BULL GEAR (36-37)	7.95
47	PT200N2	SPINDLE	36.00
48	PT370N2	RING	.50
49	CL2175NK	FACE PLATE	7.25
50	CL205NK	SPINDLE SLEEVE	2.60
51	CE2401	CENTER	3.00
52	137X29	NUT	.15
53	PT28NK1	REVERSE GEAR	3.10
54	*AS229N1	TWIN STUD (57)	2.30
55	PT27K32NK1	TWIN GEAR	3.00
56	*AS635N1	REV. BRACKET (60)	7.00
57	139X25	NUT	.05
58	*AS637NK1	REV. SHAFT (52)	3.05
59	PT371NK1	LOCK SCREW	.55
60	122X207	SET SCREW	.10
61	AXS635N1	Rev. Brkt. Compl.	24.35

TAILSTOCK PARTS

1	CE2401	CENTER	\$ 3.00
2	PT201NRI	SPINDLE	7.90
3	PT54NK1	LEVER	.95
4	PT50N1	T. S. TOP (Price on Req.)	
5	PT283NK1	NUT	.30
6	PT2861NK1	WASHER	.05
7	CE2653N	T. S. WRENCH	.70
8	PT278NK1	SCREW	.30
9	PT226N2	T. S. SCREW	3.40
10	PT52N1	T. S. NUT	2.50
11	*AS53NK1	HANDWHEEL (12-17)	3.25
12	PT1480	HANDLE	.55
13	PT286NRI	SPINDLE KEY	.30
14	PT51N1	T. S. BASE	4.00
15	PT56N3	CLAMP, 1-31/32"	.85
15A	PT56NK2	CLAMP, 2-5/32"	.90
16	143X214	CLAMP BOLT	.20
17	168X106	PIN	.05

Prices Net. F.O.B. South Bend, Ind.
(Subject to change without notice)