

BALDOR® • RELIANCE

Product Information Packet

L1322T

2HP,1725RPM,1PH,60HZ,145T,3532LC,OPEN,F1

Product Detail							
Revision:	AG	Status:	PRD/A	Change #:		Proprietary:	No
Type:	AC	Prod Type:	3532LC	Elec. Spec:	35WGX966	CD Diagram:	CD0016A01
Enclosure	OPEN	Mfg Plant:		Mech Spec:	35E002	Layout:	35LYE002
Frame:	145T	Mounting:	F1	Poles:	04	Created Date:	
Base:	RG	Rotation:	R	Insulation:	B	Eff. Date:	05-07-2009
Leads:	4#14,3#18	Literature:		Elec. Diagram:		Replaced By:	

Nameplate NP1256L									
CAT.NO.	L1322T								
SPEC.	35E02X966								
HP	2								
VOLTS	115/230								
AMP	20.4/10.2								
RPM	1725								
FRAME	145T	HZ	60	PH	1				
SER.F.	1.15	CODE	J	DES	L	CLASS	B		
NEMA-NOM-EFF	75.5	PF	85						
RATING	40C AMB-CONT								
CC			USABLE AT 208V						
DE	6205	ODE	6203						
ENCL	OPEN	SN							

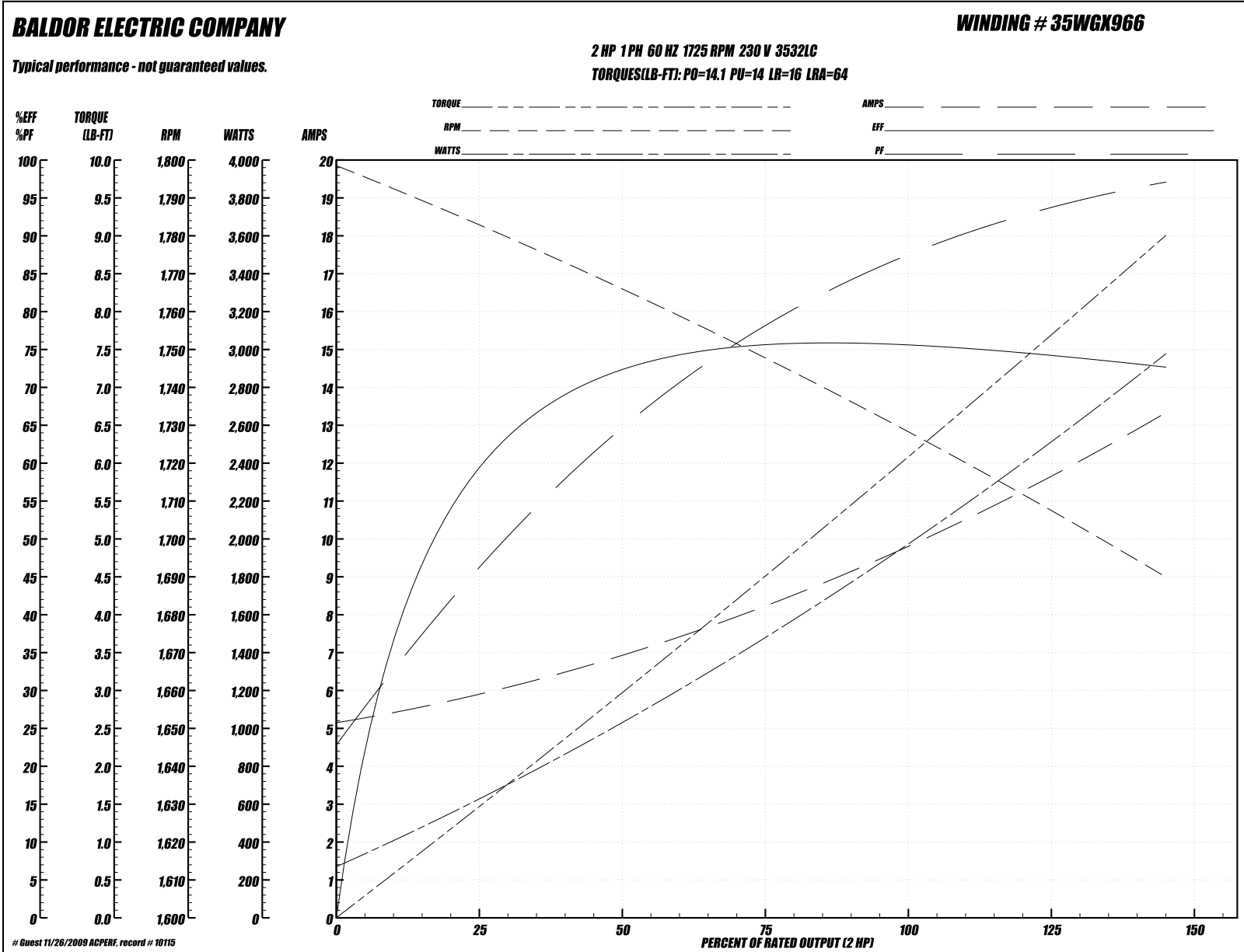
Parts List		
Product ID	Description	Quantity
SA023642	SA 35E02X966	1.000
RA019692	RA 35E02X966	1.000
OC3015F12SP	CYL OIL CAP 15MFD/370V	1.000
EC1850A06SP	ELEC CAP 115V 2.0 X 4.3 X	1.000
NS2512A01	INSULATOR, CONDUIT BOX X X	1.000
35CB3007	35 CB CASTING W/.88 DIA. LEAD HOLE	1.000
51XB1016A07	10-16 X 7/16 HXWSSLD SERTYB	2.000
11XW1032G06	10-32 X .38, TAPTITE II, HEX WSHR SLTD U	1.000
35EP3201A01	STD FR ENDPLATE-OPEN-203 BRG W/GREASER	1.000
HW4500A01	1641B(ALEMITE)400 UNIV, GREASE FITT	1.000
51XW0832A07	8-32 X .44, TAPTITE II, HEX WSHR SLTD SE	2.000
35CB3801SP	CAPACITOR COVER, CAST	1.000
HA7010	CAPACITOR RETENTION CLAMP	1.000
NS2501A02	INSULATOR, CAPACITOR BOX	1.000
51XB1016A08	10-16X 1/2HXWSSLD SERTYB	2.000
HW5100A03SP	WAVY WASHER (W1543-017)	1.000
35EP3200A01	STD PU ENDPLATE-OPEN-205 BRG W/GREASER	1.000
HW4500A01	1641B(ALEMITE)400 UNIV, GREASE FITT	1.000
XY1032A02	10-32 HEX NUT DIRECTIONAL SERRATION	4.000
35CB4521	35 LIPPED CB LID (GALV & PHOSPH)	1.000
51XW0832A07	8-32 X .44, TAPTITE II, HEX WSHR SLTD SE	4.000
HW2501D13SP	KEY, 3/16 SQ X 1.375	1.000
HA7000A01	KEY RETAINER 7/8" DIA SHAFT	1.000
85XU0407S04	4X1/4 U DRIVE PIN STAINLESS	2.000

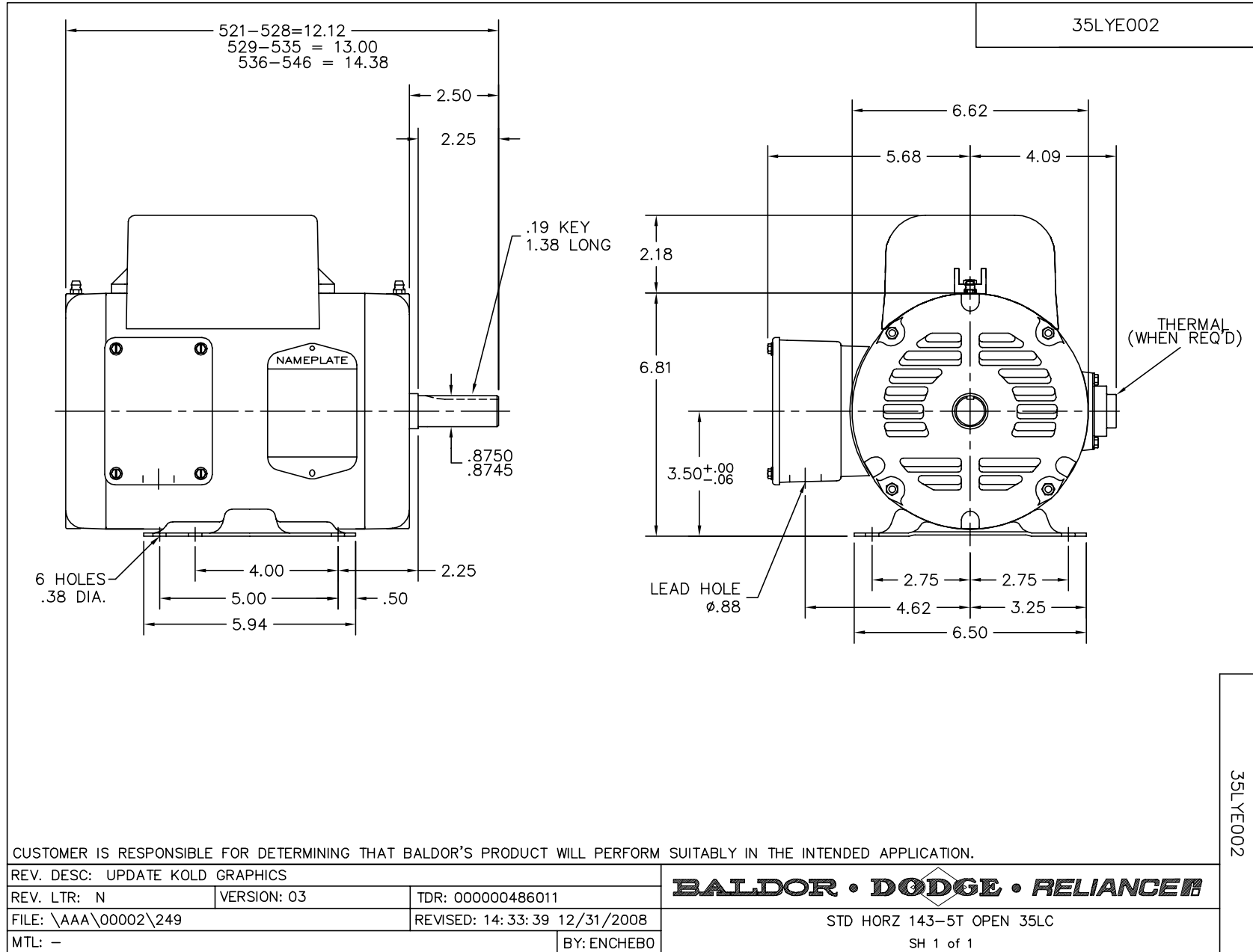
Parts List (continued)		
Product ID	Description	Quantity
SP1006A01	TERM. BOARD, MODE 35 SW X H-23655	1.000
MJ1000A02	MOBIL POLYREX EM/35LB	0.050
MG1000G27	PAINT- S9282E CHARCOAL GREY	0.017
WD1000A15	3-520132-2 AMP FLAG (4M/RL NON-CANC/NON-	4.000
HA3100A22	THRUBOLT 10-32 X 10.125	4.000
34GS5003	FOAM SLEEVE, ID = 2 1/16" X 3 3/8"	2.000
SP5056A61	MODEL 35 LC STATIONARY SWITCH LEAD ASSY	1.000
LB1119		1.000
LB1125C01	STD (STOCK) CARTON LABEL BALDOR WITH FLA	1.000
LC0016	CONNECTION LABEL	1.000
NP1256L	ALUM, UL CSA CC, W/O THERMAL, LASER	1.000
36PA1000	PACK GROUP W/LB5001	1.000

Performance Data at 230V, 60Hz, 2.0HP (Typical performance - Not guaranteed values)

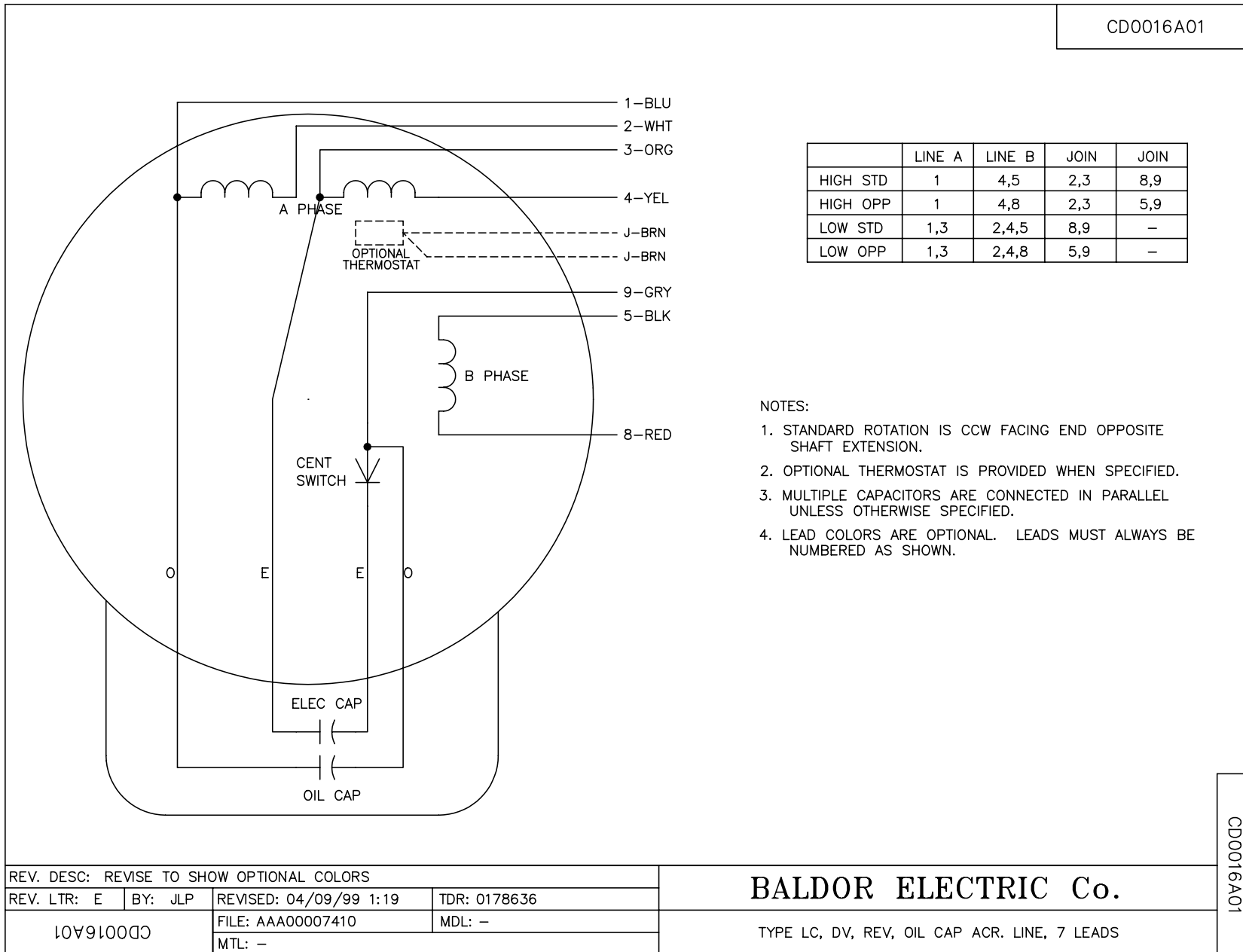
General Characteristics							
Full Load Torque:	6.0 LB-FT			Start Configuration:	DOL		
No-Load Current:	5.4 Amps			Break-Down Torque:	14.1 LB-FT		
Line-line Res. @ 25°C.:	1.35 Ohms A Ph / 1.16 Ohms B Ph			Pull-Up Torque:	14.0 LB-FT		
Temp. Rise @ Rated Load:	68°C			Locked-Rotor Torque:	16.0 LB-FT		
Temp. Rise @ S.F. Load:	82°C			Starting Current:	64.0 Amps		
Load Characteristics							
% of Rated Load:	25	50	75	100	125	150	S.F.
Power Factor:	36.0	69.0	79.0	85.0	88.0	89.0	87.0
Efficiency:	58.0	73.0	75.8	75.9	74.2	72.7	74.9
Speed:	1782.0	1767.0	1750.0	1729.0	1705.0	1693.0	1715.0
Line Amperes:	5.7	6.7	8.1	9.9	12.0	12.9	11.16

Performance Graph at 230V, 60Hz, 2.0HP (Typical performance - Not guaranteed values)





CDO016A01



REV. DESC: REVISE TO SHOW OPTIONAL COLORS			
REV. LTR: E	BY: JLP	REVISED: 04/09/99 1:19	TDR: 0178636
10V91000		FILE: AAA00007410	MDL: -
CDO016A01		MTL: -	

BALDOR ELECTRIC Co.

TYPE LC, DV, REV, OIL CAP ACR. LINE, 7 LEADS

CDO016A01